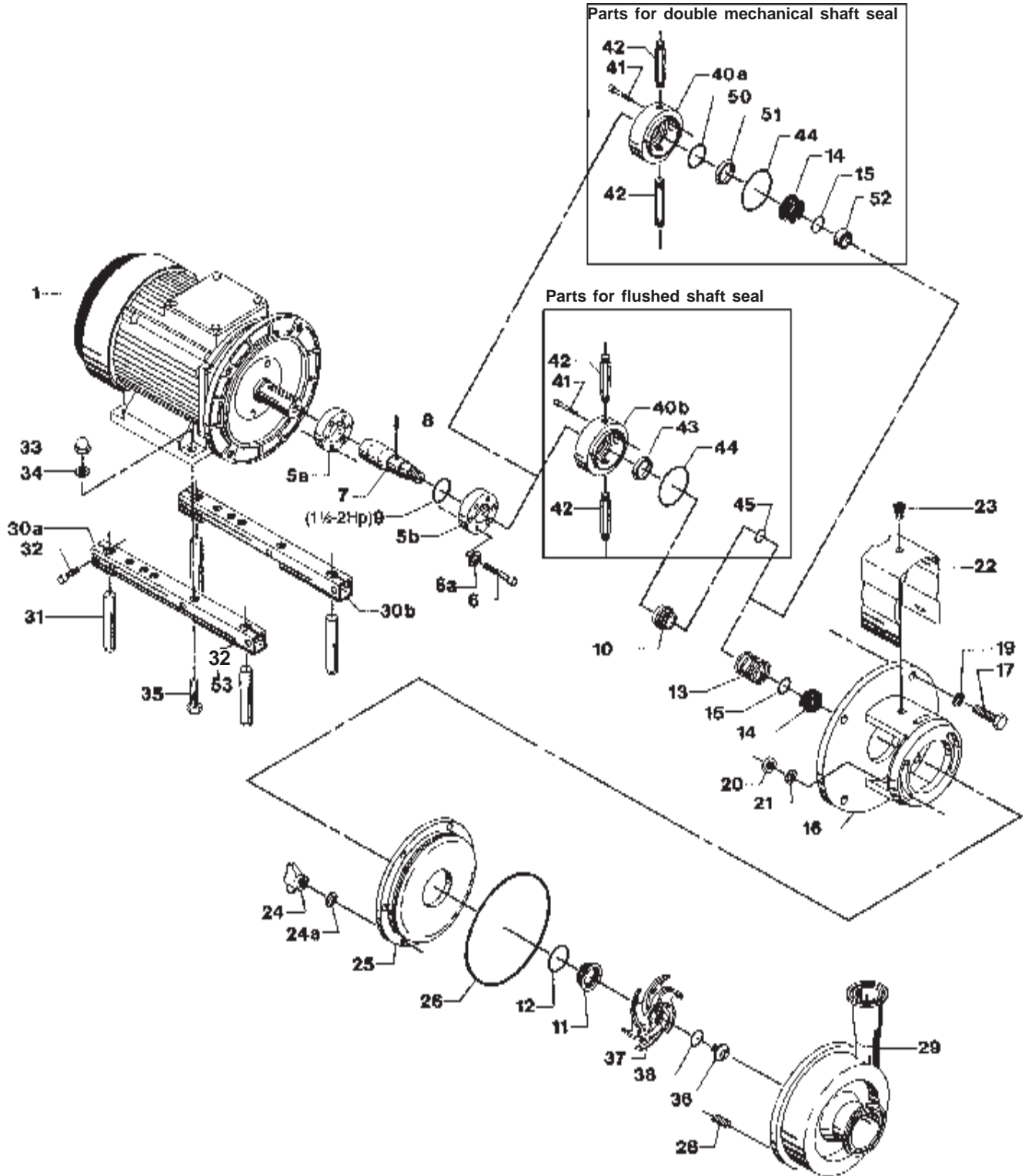


Alfa Laval



Pos.	Qty.	Description	1.5-2 Hp Part No.	3-5 Hp Part No.	7.5-10 Hp Part No.
1	1	Motor			
5a	1	Compression ring with thread .....	9612-13-3601	9612-13-3602	9612-13-3606
5b	1	Compression ring without thread .....	9612-13-3701	9612-13-3702	9612-13-3706
6	6	Screw .....	9611-99-3196	9611-99-3196	9611-99-3197
6a	6	Washer .....	9611-99-3199	9611-99-3199	9611-99-3199
7	1	Stub shaft .....	9612-13-3002	9612-13-3102	9612-13-3202
8	1	Connex pin .....	9611-99-0622	961199-0622	9611-99-0622
9	1	Retaining ring .....	9611-99-2307	N/A	N/A
10	1	Drive ring - single shaft seal .....	9612-13-7701	9612-13-7701	9612-13-7701
	1	Drive ring - flush shaft seal .....	9612-13-9701	9612-13-9701	9612-13-9701
11→▶◆□○◇	1	Stationary seal ring, SC .....	9612-13-7901	9612-13-7901	9612-13-7901
12→▶◆□○◇	1	Stationary O-ring, EPDM (standard) .....	9611-99-2149	9611-99-2149	9611-99-2149
	1	Stationary O-ring, FPM .....	9611-99-2150	9611-99-2150	9611-99-2150
	1	Stationary O-ring, NBR .....	9611-99-2151	9611-99-2151	9611-99-2151
	1	Stationary O-ring, PTFE .....	9611-99-2152	9611-99-2152	9611-99-2152
13→▶◆□○◇	1	Spring .....	9612-13-7601	9612-13-7601	9612-13-7601
14→▶□○	1	Rotating seal ring, Carbon .....	9612-13-6401	9612-13-6401	9612-13-6401
	1	Rotating seal ring, SC .....	9612-13-6402	9612-13-6402	9612-13-6402
◆◇	2	Rotating seal ring, Carbon .....	9612-13-6401	9612-13-6401	9612-13-6401
	2	Rotating seal ring, SC .....	9612-13-6402	9612-13-6402	9612-13-6402
15→▶□○	1	Rotating O-ring, EPDM (standard) .....	9611-99-2145	9611-99-2145	9611-99-2145
	1	Rotating O-ring, FPM .....	9611-99-2146	9611-99-2146	9611-99-2146
	1	Rotating O-ring, NBR .....	9611-99-2147	9611-99-2147	9611-99-2147
	1	Rotating O-ring, PTFE .....	9611-99-2148	9611-99-2148	9611-99-2148
◆◇	2	Rotating O-ring, EPDM (standard) .....	9611-99-2145	9611-99-2145	9611-99-2145
	2	Rotating O-ring, FPM .....	9611-99-2146	9611-99-2146	9611-99-2146
	2	Rotating O-ring, NBR .....	9611-99-2147	9611-99-2147	9611-99-2147
	2	Rotating O-ring, PTFE .....	9611-99-2148	9611-99-2148	9611-99-2148
16	1	Adaptor .....	9612-13-5910	9612-13-5911	9612-13-5912
17	4	Adaptor screw .....	180148	180148	180148
19	4	Adaptor spring washer .....	189971	189971	189971
20	2	Adaptor nut .....	9611-99-0353	9611-99-0353	9611-99-0353
21	2	Washer .....	9611-99-2559	9611-99-2559	9611-99-2559
22	1	Safety guard .....	9612-12-9703	9612-13-1106	9612-13-1110
23	1	Safety guard screw .....	9611-99-2544	9611-99-2544	9611-99-2544
24	6	Wingnuts .....	9611-41-6891	9611-41-6891	9611-41-6891
24a	6	Spring washer .....	9611-99-1888	9611-99-1888	9611-99-1888
25	1	Back plate polished .....	9612-13-8416	9612-13-8416	9612-13-8416
26□○◇	1	Joint ring, EPDM (standard) .....	9611-99-2137	9611-99-2137	9611-99-2137
	1	Joint ring, FPM .....	9611-99-2138	9611-99-2138	9611-99-2138
	1	Joint ring, NBR .....	9611-99-2139	9611-99-2139	9611-99-2139
	1	Joint ring, PTFE/SFY .....	9611-99-2140	9611-99-2140	9611-99-2140
28□○◇	6	Stud bolt .....	9611-99-2168	9611-99-2168	9611-99-2168
29	1	Pump casing .....	883-39447	883-39447	883-39447
30a-35	1	Leg assembly .....	481656	481661	481663
36	1	Impeller screw .....	9612-13-9603	9612-13-9603	9612-13-9603
37	1	Impeller polished, full .....	9612431413	9612431413	9612431413
38	1	Impeller O-ring, EPDM (standard) .....	9611-99-2145	9611-99-2145	9611-99-2145
	1	Impeller O-ring, FPM .....	9611-99-2146	9611-99-2146	9611-99-2146
	1	Impeller O-ring, NBR .....	9611-99-2147	9611-99-2147	9611-99-2147
	1	Impeller O-ring, PTFE .....	9611-99-2148	9611-99-2148	9611-99-2148
40a	1	Seal housing - double mechanical .....	9612-13-3902	9612-13-3902	9612-13-3902
40b	1	Seal housing - flushed .....	9612-13-3901	9612-13-3901	9612-13-3901
41	2	Screw for seal housing .....	9611-99-0203	9611-99-0203	9611-99-0203
42	2	Water flush pipe .....	9612-35-8901	9612-35-8901	9612-35-8901
43>○	1	Lip seal .....	31446-0088-2	31446-0088-2	31446-0088-2
44>◆○◇	1	Seal housing o-ring .....	9611-99-2153	9611-99-2153	9611-99-2153
45>○	1	Drive ring o-ring .....	9611-99-2145	9611-99-2145	9611-99-2145
50◆◇	1	O-ring .....	9611-99-2156	9611-99-2156	9611-99-2156
51◆◇	1	Sec. stationary seal ring, SC .....	9612-13-8302	9612-13-8302	9612-13-8302
52◆◇	1	Spacer .....	9612-30-8901	9612-30-8901	9612-30-8901

Parts marked with →, >, ◆ are included in the seal kits.

Parts marked with →, >, ◆, □, ○, ◇ are included in the service kits.

Recommended Spare Parts: Service kits

Alfa Laval



CSI

CONTACT CSI FOR MORE INFORMATION | CSIDESIGNS.COM | SALES@CSIDESIGNS.COM | 417.831.1411

# Alfa Laval

Pos.	Qty.	Description	1-40 Hp Part No.
<b>Seal Kit for Single Shaft Seal</b>			
→	1	C/SC seal kit, EPDM .....	9612-1296-09
→	1	C/SC seal kit, NBR .....	9612-1296-10
→	1	C/SC seal kit, FPM .....	9612-1296-11
→	1	SC/SC seal kit, EPDM .....	9612-1296-05
→	1	Seal kit, NBR .....	9612-1296-06
→	1	Seal kit, FPM .....	9612-1296-07
<b>Seal Kit for Flushed Shaft Seal</b>			
>	1	C/SC seal kit, EPDM .....	9612-1296-25
>	1	C/SC seal kit, NBR .....	9612-1296-26
>	1	C/SC seal kit, FPM .....	9612-1296-27
>	1	SC/SC seal kit, EPDM .....	9612-1296-29
>	1	SC/SC seal kit, NBR .....	9612-1296-30
>	1	SC/SC seal kit, FPM .....	9612-1296-31
<b>Seal Kit for Double Mechanical Shaft Seal</b>			
◆	1	C/SC seal kit, EPDM .....	9612-12-9613
◆	1	C/SC seal kit, NBR .....	9612-12-9614
◆	1	C/SC seal kit, FPM .....	9612-12-9615
◆	1	SC/SC seal kit, EPDM .....	9612-12-9617
◆	1	SC/SC seal kit, NBR .....	9612-12-9618
◆	1	SC/SC seal kit, FPM .....	9612-12-9619

Parts marked with →, >, ◆ are included in the seal kits.

<b>Service Kit for Single Shaft Seal</b>			<b>C/SIC</b>	<b>SIC/SIC</b>
□	1	Service kit, EPDM .....	9611-92-2114	9611-92-2550
□	1	Service kit, NBR .....	9611-92-2115	9611-92-2551
□	1	Service kit, FPM .....	9611-92-2116	9611-92-2552
□	1	Service kit, PTFE .....	9611-92-2117	9611-92-2553
<b>Service Kit for Flushed Shaft Seal</b>			<b>C/SIC</b>	<b>SIC/SIC</b>
○	1	Service kit, EPDM .....	9611-92-2118	9611-92-2558
○	1	Service kit, NBR .....	9611-92-2119	9611-92-2559
○	1	Service kit, FPM .....	9611-92-2120	9611-92-2560
○	1	Service kit, PTFE .....	9611-92-2121	9611-92-2561
<b>Service Kit for Double Mechanical Shaft Seal</b>			<b>C/SIC</b>	<b>SIC/SIC</b>
◇	1	Service kit, EPDM .....	9611-92-2210	9611-92-2566
◇	1	Service kit, NBR .....	9611-92-2211	9611-92-2567
◇	1	Service kit, FPM .....	9611-92-2212	9611-92-2568
◇	1	Service kit, PTFE .....	9611-92-2213	9611-92-2569

Parts marked with →, >, ◆, □, ○, ◇ are included in the service kits.

<b>Conversion Kits</b>		
1	Single to flushed shaft seal .....	9611-92-2042
	(The conversion kit contains Pos. 10, 40, 41, 42, 43, 44, 45)	
1	Single to double mechanical shaft seal .....	9611-92-2175
	(The conversion kit contains Pos. 14, 15, 40a, 41, 42, 44, 50, 51, 52)	
1	Flushed to double mechanical shaft seal .....	9611-92-2176
	(The conversion kit contains Pos. 14, 40a, 50, 51, 52) .....	

<b>Accessories</b>		
1	Tool complete .....	9612-9036-01

Recommended Spare Parts: Service kits

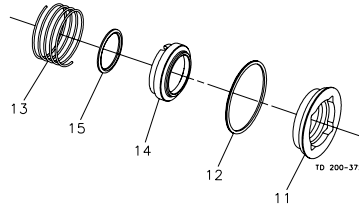
**Alfa Laval**



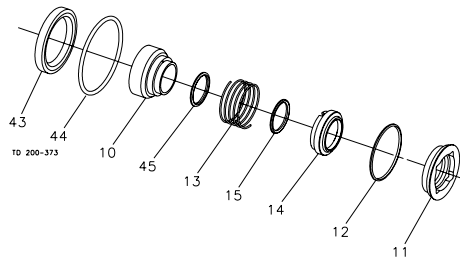
**CSI**

CONTACT CSI FOR MORE INFORMATION | CSIDESIGNS.COM | SALES@CSIDESIGNS.COM | 417.831.1411

Single Shaft Seal



Flushed Shaft Seal



Double Mechanical Shaft Seal

