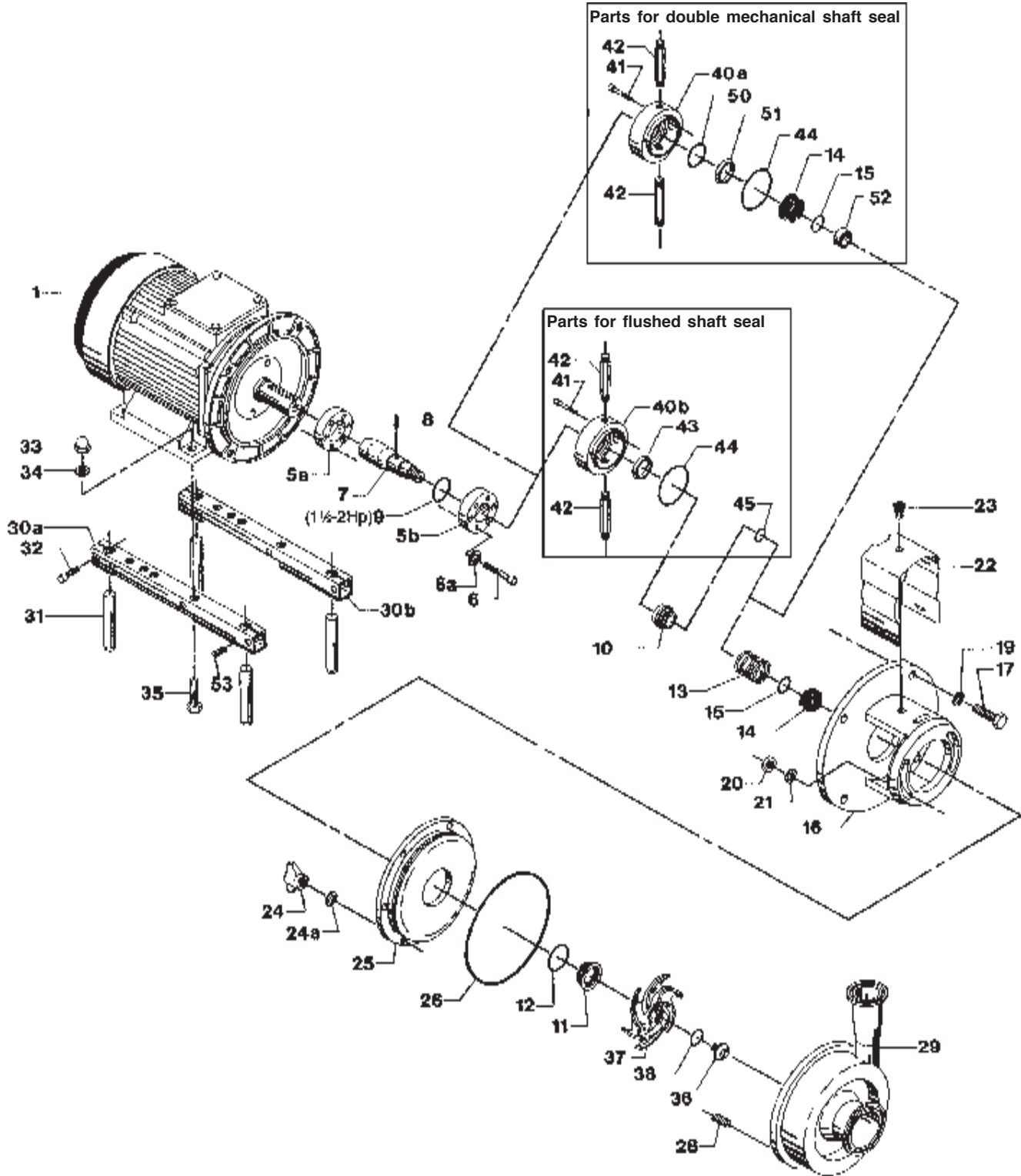


Alfa Laval



| Pos. | Qty. | Description | 1.5-2 Hp Part No. | 3-5 Hp Part No. | 7.5-10 Hp Part No. | 15-20 Hp Part No. |
|-----------|------|--|----------------------|--------------------|-----------------------|----------------------|
| 1 | 1 | Motor | | | | |
| 5a | 1 | Compression ring with thread | 9612-13-3601 | 9612-13-3602 | 9612-13-3606 | 9612-13-3603 |
| 5b | 1 | Compression ring without thread | 9612-13-3701 | 9612-13-3702 | 9612-13-3706 | 9612-13-3703 |
| 6 | 6 | Screw | 9611-99-3196 | 9611-99-3196 | 9611-99-3197 | 9611-99-3197 |
| 6a | 6 | Washer | 9611-99-3199 | 9611-99-3199 | 9611-99-3199 | 9611-99-3199 |
| 7 | 1 | Stub shaft | 9612-13-3002 | 9612-13-3102 | 9612-13-3202 | 9612-13-3302 |
| 8 | 1 | Connex pin | 9611-99-0622 | 9611-99-0622 | 9611-99-0622 | 9611-99-0622 |
| 9 | 1 | Retaining ring | 9611-99-2307 | N/A | N/A | N/A |
| 10 | 1 | Drive ring - single shaft seal | 9612-13-7701 | 9612-13-7701 | 9612-13-7701 | 9612-13-7701 |
| | 1 | Drive ring - flush shaft seal | 9612-13-9701 | 9612-13-9701 | 9612-13-9701 | 9612-13-9701 |
| 11 →▶◆□○◇ | 1 | Stationary seal ring, SC | 9612-13-7901 | 9612-13-7901 | 9612-13-7901 | 9612-13-7901 |
| 12 →▶◆□○◇ | 1 | Stationary O-ring, EPDM (standard) | 9611-99-2149 | 9611-99-2149 | 9611-99-2149 | 9611-99-2149 |
| | 1 | Stationary O-ring, FPM | 9611-99-2150 | 9611-99-2150 | 9611-99-2150 | 9611-99-2150 |
| | 1 | Stationary O-ring, NBR | 9611-99-2151 | 9611-99-2151 | 9611-99-2151 | 9611-99-2151 |
| | 1 | Stationary O-ring, PTFE | 9611-99-2152 | 9611-99-2152 | 9611-99-2152 | 9611-99-2152 |
| 13 →▶◆□○◇ | 1 | Spring | 9612-13-7601 | 9612-13-7601 | 9612-13-7601 | 9612-13-7601 |
| 14 →▶□○ | 1 | Rotating seal ring, Carbon | 9612-13-6401 | 9612-13-6401 | 9612-13-6401 | 9612-13-6401 |
| | 1 | Rotating seal ring, SC | 9612-13-6402 | 9612-13-6402 | 9612-13-6402 | 9612-13-6402 |
| ◆◇ | 2 | Rotating seal ring, Carbon | 9612-13-6401 | 9612-13-6401 | 9612-13-6401 | 9612-13-6401 |
| | 2 | Rotating seal ring, SC | 9612-13-6402 | 9612-13-6402 | 9612-13-6402 | 9612-13-6402 |
| 15 →▶□○ | 1 | Rotating O-ring, EPDM (standard) | 9611-99-2145 | 9611-99-2145 | 9611-99-2145 | 9611-99-2145 |
| | 1 | Rotating O-ring, FPM | 9611-99-2146 | 9611-99-2146 | 9611-99-2146 | 9611-99-2146 |
| | 1 | Rotating O-ring, NBR | 9611-99-2147 | 9611-99-2147 | 9611-99-2147 | 9611-99-2147 |
| | 1 | Rotating O-ring, PTFE | 9611-99-2148 | 9611-99-2148 | 9611-99-2148 | 9611-99-2148 |
| ◆◇ | 2 | Rotating O-ring, EPDM (standard) | 9611-99-2145 | 9611-99-2145 | 9611-99-2145 | 9611-99-2145 |
| | 2 | Rotating O-ring, FPM | 9611-99-2146 | 9611-99-2146 | 9611-99-2146 | 9611-99-2146 |
| | 2 | Rotating O-ring, NBR | 9611-99-2147 | 9611-99-2147 | 9611-99-2147 | 9611-99-2147 |
| | 2 | Rotating O-ring, PTFE | 9611-99-2148 | 9611-99-2148 | 9611-99-2148 | 9611-99-2148 |
| 16 | 1 | Adaptor | 9612-13-5910 | 9612-13-5911 | 9612-13-5912 | 9612-13-5913 |
| 17 | 4 | Adaptor screw | 180148 | 180148 | 180148 | 180148 |
| 19 | 4 | Adaptor spring washer | 189971 | 189971 | 189971 | 189971 |
| 20 | 2 | Adaptor nut | 9611-99-0353 | 9611-99-0353 | 9611-99-0353 | 9611-99-0353 |
| 21 | 2 | Washer | 9611-99-2559 | 9611-99-2559 | 9611-99-2559 | 9611-99-2559 |
| 22 | 1 | Safety guard | 9612-12-9703 | 9612-13-1106 | 9612-13-1110 | 9612-13-1108 |
| 23 | 1 | Safety guard screw | 9611-99-2544 | 9611-99-2544 | 9611-99-2544 | 9611-99-2544 |
| 24 | 6 | Wingnuts | 9611-41-6891 | 9611-416891 | 9611-41-6891 | 9611-41-6891 |
| 24a | 6 | Spring washer | 9611-99-1888 | 9611-99-1888 | 9611-99-1888 | 9611-99-1888 |
| 25 | 1 | Back plate polished | 9612-13-8417 | 9612-13-8417 | 9612-13-8417 | 9612-13-8417 |
| 26 □○◇ | 1 | Joint ring, EPDM (standard) | 9611-99-2141 | 9611-99-2141 | 9611-99-2141 | 9611-99-2141 |
| | 1 | Joint ring, FPM | 9611-99-2142 | 9611-99-2142 | 9611-99-2142 | 9611-99-2142 |
| | 1 | Joint ring, NBR | 9611-99-2143 | 9611-99-2143 | 9611-99-2143 | 9611-99-2143 |
| | 1 | Joint ring, PTFE/SFY | 9611-99-2144 | 9611-99-2144 | 9611-99-2144 | 9611-99-2144 |
| 28 | 6 | Stud bolt | 9611-99-2168 | 9611-99-2168 | 9611-99-2168 | 9611-99-2168 |
| 29 | 1 | Pump casing | 9612-12-8901 | 9612-12-8901 | 9612-12-8901 | 9612-12-8901 |
| 30a-35 | 1 | Leg assembly | 481656 | 481661 | 481663 | 481665 |
| 36 | 1 | Impeller screw | 9612-13-9603 | 9612-13-9603 | 9612-13-9603 | 9612-13-9603 |
| 37 | 1 | Impeller polished, full | 9612131418 | 9612131418 | 9612131418 | 9612131418 |
| 38 □○◇ | 1 | Impeller O-ring, EPDM (standard) | 9611-99-2145 | 9611-99-2145 | 9611-99-2145 | 9611-99-2145 |
| | 1 | Impeller O-ring, FPM | 9611-99-2146 | 9611-99-2146 | 9611-99-2146 | 9611-99-2146 |
| | 1 | Impeller O-ring, NBR | 9611-99-2147 | 9611-99-2147 | 9611-99-2147 | 9611-99-2147 |
| | 1 | Impeller O-ring, PTFE | 9611-99-2148 | 9611-99-2148 | 9611-99-2148 | 9611-99-2148 |
| 40a | 1 | Seal housing - double mechanical | 9612-13-3902 | 9612-13-3902 | 9612-13-3902 | 9612-13-3902 |
| 40b | 1 | Seal housing - flushed | 9612-13-3901 | 9612-13-3901 | 9612-13-3901 | 9612-13-3901 |
| 41 | 2 | Screw for seal housing | 9611-99-0203 | 9611-99-0203 | 9611-99-0203 | 9611-99-0203 |
| 42 | 2 | Water flush pipe | 9612-35-8901 | 9612-35-8901 | 9612-35-8901 | 9612-35-8901 |
| 43 ▶○ | 1 | Lip seal | 31446-0088-2 | 31446-0088-2 | 31446-0088-2 | 31446-0088-2 |
| 44 ▶◆○◇ | 1 | Seal housing O-ring | 9611-99-2153 | 9611-99-2153 | 9611-99-2153 | 9611-99-2153 |
| 45 ▶○ | 1 | Drive ring O-ring | 9611-99-2145 | 9611-99-2145 | 9611-99-2145 | 9611-99-2145 |
| 50 ◆◇ | 1 | O-ring | 9611-99-2156 | 9611-99-2156 | 9611-99-2156 | 9611-99-2156 |
| 51 ◆◇ | 1 | Sec. stationary seal ring, SC | 9612-13-8302 | 9612-13-8302 | 9612-13-8302 | 9612-13-8302 |
| 52 ◆◇ | 1 | Spacer | 9612-30-8901 | 9612-30-8901 | 9612-30-8901 | 9612-30-8901 |

Parts marked with →, ▶, ◆ are included in the seal kits.

Parts marked with →, ▶, ◆, □, ○, ◇ are included in the service kits.

Recommended Spare Parts: Service kits

Alfa Laval



CSI

CONTACT CSI FOR MORE INFORMATION | CSIDESIGNS.COM | SALES@CSIDESIGNS.COM | 417.831.1411

Alfa Laval

| Pos. | Qty. | Description | 1-40 Hp Part No. |
|---------------------------------------|------|----------------------------|---------------------|
| Seal Kit for Single Shaft Seal | | | |
| → | 1 | C/SC seal kit, EPDM | 9612-1296-09 |
| → | 1 | C/SC seal kit, NBR | 9612-1296-10 |
| → | 1 | C/SC seal kit, FPM | 9612-1296-11 |
| → | 1 | SC/SC seal kit, EPDM | 9612-1296-05 |
| → | 1 | SC/SC seal kit, NBR | 9612-1296-06 |
| → | 1 | SC/SC seal kit, FPM | 9612-1296-07 |

| | | | |
|--|---|----------------------------|--------------|
| Seal Kit for Flushed Shaft Seal | | | |
| > | 1 | C/SC seal kit, EPDM | 9612-1296-25 |
| > | 1 | C/SC seal kit, NBR | 9612-1296-26 |
| > | 1 | C/SC seal kit, FPM | 9612-1296-27 |
| > | 1 | SC/SC seal kit, EPDM | 9612-1296-29 |
| > | 1 | SC/SC seal kit, NBR | 9612-1296-30 |
| > | 1 | SSC/SC seal kit, FPM | 9612-1296-31 |

| | | | |
|--|---|----------------------------|--------------|
| Seal Kit for Double Mechanical Shaft Seal | | | |
| ◆ | 1 | C/SC seal kit, EPDM | 9612-1296-13 |
| ◆ | 1 | C/SC seal kit, NBR | 9612-1296-14 |
| ◆ | 1 | C/SC seal kit, FPM | 9612-1296-15 |
| ◆ | 1 | SC/SC seal kit, EPDM | 9612-1296-17 |
| ◆ | 1 | SC/SC seal kit, NBR | 9612-1296-18 |
| ◆ | 1 | SC/SC seal kit, FPM | 9612-1296-19 |

Parts marked with →, >, ◆ are included in the seal kits.

| Service Kit for Single Shaft Seal | | | C/SIC | SIC/SIC |
|--|---|-------------------------|--------------|--------------|
| □ | 1 | Service kit, EPDM | 9611-92-2122 | 9611-92-2574 |
| □ | 1 | Service kit, NBR | 9611-92-2123 | 9611-92-2575 |
| □ | 1 | Service kit, FPM | 9611-92-2124 | 9611-92-2576 |
| □ | 1 | Service kit, PTFE | 9611-92-2125 | 9611-92-2577 |

| Service Kit for Flushed Shaft Seal | | | C/SIC | SIC/SIC |
|---|---|-------------------------|--------------|--------------|
| ○ | 1 | Service kit, EPDM | 9611-92-2126 | 9611-92-2582 |
| ○ | 1 | Service kit, NBR | 9611-92-2127 | 9611-92-2583 |
| ○ | 1 | Service kit, FPM | 9611-92-2128 | 9611-92-2584 |
| ○ | 1 | Service kit, PTFE | 9611-92-2129 | 9611-92-2585 |

| Service Kit for Double Mechanical Shaft Seal | | | C/SIC | SIC/SIC |
|---|---|-------------------------|--------------|--------------|
| ◇ | 1 | Service kit, EPDM | 9611-92-2218 | 9611-92-2590 |
| ◇ | 1 | Service kit, NBR | 9611-92-2219 | 9611-92-2591 |
| ◇ | 1 | Service kit, FPM | 9611-92-2220 | 9611-92-2592 |
| ◇ | 1 | Service kit, PTFE | 9611-92-2221 | 9611-92-2593 |

Parts marked with →, >, ◆, □, ○, ◇ are included in the service kits.

| | | | |
|------------------------|--|--------------|--|
| Conversion Kits | | | |
| 1 | Single to flushed shaft seal | 9611-92-2042 | |
| | (The conversion kit contains Pos. 10, 40, 41, 42, 43, 44, 45) | | |
| 1 | Single to double mechanical shaft seal | 9611-92-2175 | |
| | (The conversion kit contains Pos. 14, 15, 40a, 41, 42, 44, 50, 51, 52) | | |
| 1 | Flushed to double mechanical shaft seal | 9611-92-2176 | |
| | (The conversion kit contains Pos. 14, 40a, 50, 51, 52) | | |

| | | | |
|--------------------|---------------------|--------------|--|
| Accessories | | | |
| 1 | Tool complete | 9612-9036-01 | |

Recommended Spare Parts: Service kits

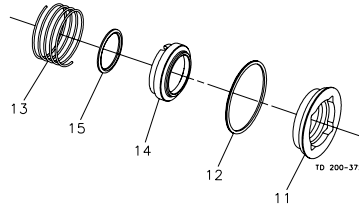
Alfa Laval



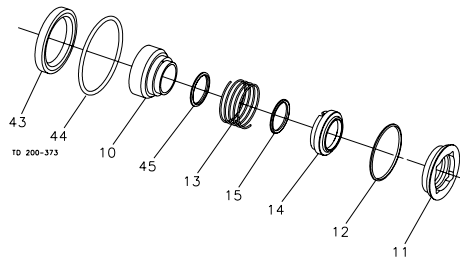
CSI

CONTACT CSI FOR MORE INFORMATION | CSIDESIGNS.COM | SALES@CSIDESIGNS.COM | 417.831.1411

Single Shaft Seal



Flushed Shaft Seal



Double Mechanical Shaft Seal

