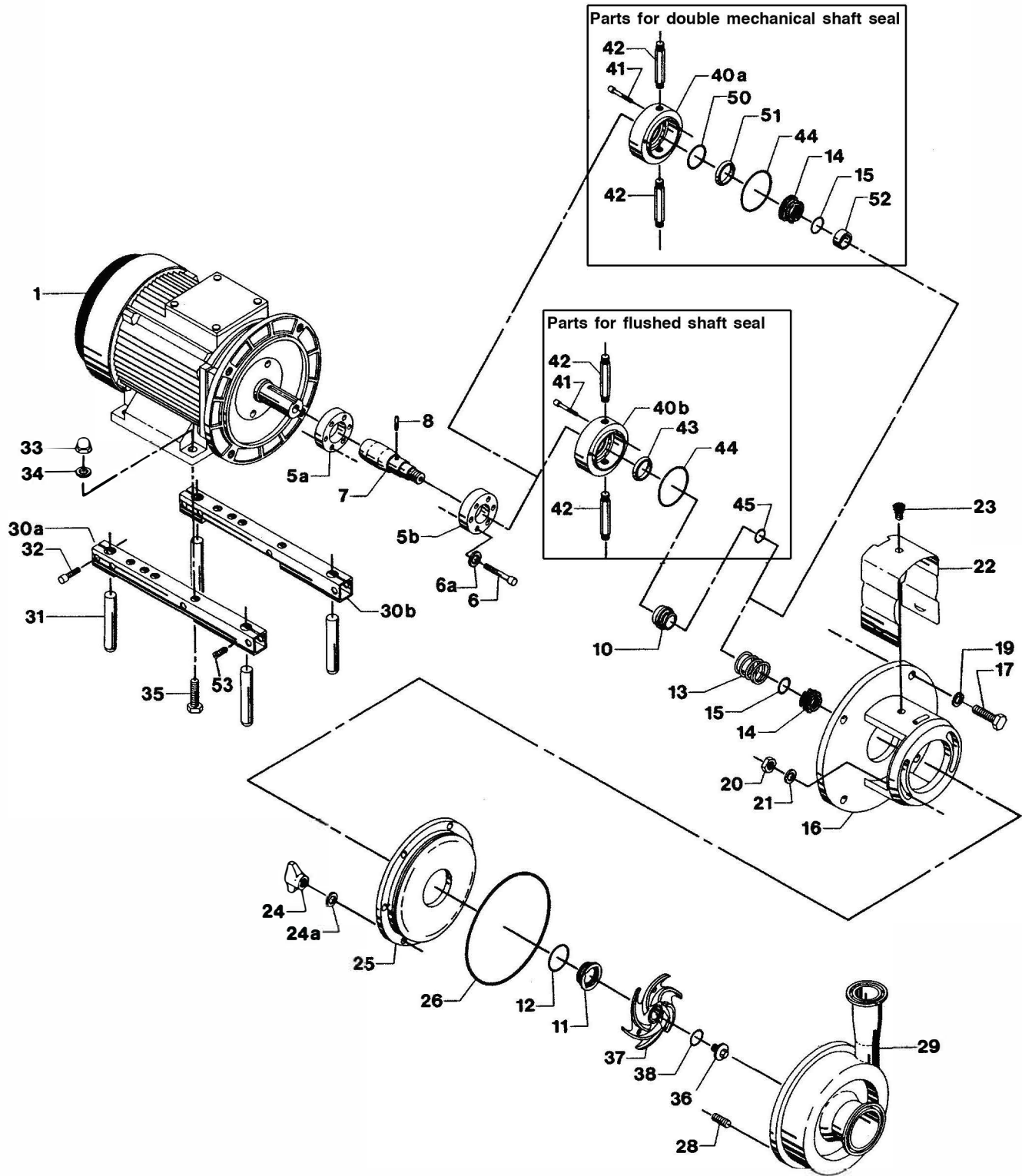


Alfa Laval



Pos.	Qty.	Description	7.5-10 Hp Part No.	15-20 Hp Part No.	25-30 Hp Part No.
1	1	Motor			
5a	1	Compression ring with thread .....	9612-13-3606	9612-13-3603	9612-13-3603
5b	1	Compression ring without thread .....	9612-13-3706	9612-13-3703	9612-13-3703
6	6	Screw .....	9611-99-3197	9611-99-3197	9611-99-3198
6a	6	Washer .....	9611-99-3199	9611-99-3199	9611-99-3199
7	1	Stub shaft .....	9612-13-3202	9612-13-3302	9612-13-3302
8	1	Connex pin .....	9611-99-0622	9611-99-0622	9611-99-0622
10	1	Drive ring - single shaft seal .....	9612-13-7701	9612-13-7701	9612-13-7701
	1	Drive ring - flush shaft seal .....	9612-13-9701	9612-13-9701	9612-13-9701
11→>◆□○◇	1	Stationary seal ring, SC .....	9612-13-7901	9612-13-7901	9612-13-7901
12→>◆□○◇	1	Stationary O-ring, EPDM (standard) .....	9611-99-2149	9611-99-2149	9611-99-2149
	1	Stationary O-ring, FPM .....	9611-99-2150	9611-99-2150	9611-99-2150
	1	Stationary O-ring, NBR .....	9611-99-2151	9611-99-2151	9611-99-2151
	1	Stationary O-ring, PTFE .....	9611-99-2152	9611-99-2152	9611-99-2152
13→>◆□○◇	1	Spring .....	9612-13-7601	9612-13-7601	9612-13-7601
14→>□○	1	Rotating seal ring, Carbon .....	9612-13-6401	9612-13-6401	9612-13-6401
	1	Rotating seal ring, SC .....	9612-13-6402	9612-13-6402	9612-13-6402
◆◇	2	Rotating seal ring, Carbon .....	9612-13-6401	9612-13-6401	9612-13-6401
	2	Rotating seal ring, SC .....	9612-13-6402	9612-13-6402	9612-13-6402
15→>□○	1	Rotating O-ring, EPDM (standard) .....	9611-99-2145	9611-99-2145	9611-99-2145
	1	Rotating O-ring, FPM .....	9611-99-2146	9611-99-2146	9611-99-2146
	1	Rotating O-ring, NBR .....	9611-99-2147	9611-99-2147	9611-99-2147
	1	Rotating O-ring, PTFE .....	9611-99-2148	9611-99-2148	9611-99-2148
◆◇	2	Rotating O-ring, EPDM (standard) .....	9611-99-2145	9611-99-2145	9611-99-2145
	2	Rotating O-ring, FPM .....	9611-99-2146	9611-99-2146	9611-99-2146
	2	Rotating O-ring, NBR .....	9611-99-2147	9611-99-2147	9611-99-2147
	2	Rotating O-ring, PTFE .....	9611-99-2148	9611-99-2148	9611-99-2148
16	1	Adaptor .....	9612-13-5912	9612-13-5913	9612-13-5918
17	4	Adaptor screw .....	180148	180148	180148
19	4	Adaptor spring washer .....	189971	189971	189971
20	2	Adaptor nut .....	9611-99-0353	9611-99-0353	9611-99-0353
21	2	Washer .....	9611-99-2559	9611-99-2559	9611-99-2559
22	1	Safety guard .....	9612-13-1110	9612-13-1108	9612-13-1108
23	1	Safety guard screw .....	9611-99-2544	9611-99-2544	9611-99-2544
24	6	Wingnuts .....	9611-41-6892	9611-41-6892	9611-41-6892
24a	6	Spring washer .....	9611-99-1887	9611-99-1887	9611-99-1887
25	1	Back plate polished .....	9612-13-8418	9612-13-8418	9612-13-8418
26□○◇	1	Joint ring, EPDM (standard) .....	9611-99-2171	9611-99-2171	9611-99-2171
	1	Joint ring, FPM .....	9611-99-2172	9611-99-2172	9611-99-2172
	1	Joint ring, NBR .....	9611-99-2173	9611-99-2173	9611-99-2173
	1	Joint ring, PTFE/SFY .....	9611-99-2174	9611-99-2174	9611-99-2174
28	6	Stud bolt .....	9611-99-2169	9611-99-2169	9611-99-2169
29	1	Pump casing .....	9612-12-9101	9612-12-9101	9612-12-9101
30a-35	1	Leg assembly .....	481663	481665	481669
36	1	Impeller screw .....	9612-13-9603	9612-13-9603	9612-13-9603
37	1	Impeller polished, full .....	9612131816	9612131816	9612131816
38□○◇	1	Impeller O-ring, EPDM (standard) .....	9611-99-2145	9611-99-2145	9611-99-2145
	1	Impeller O-ring, FPM .....	9611-99-2146	9611-99-2146	9611-99-2146
	1	Impeller O-ring, NBR .....	9611-99-2147	9611-99-2147	9611-99-2147
	1	Impeller O-ring, PTFE .....	9611-99-2148	9611-99-2148	9611-99-2148
40a	1	Seal housing - double mechanical .....	9612-13-3902	9612-13-3902	9612-13-3902
40b	1	Seal housing - flushed .....	9612-13-3901	9612-13-3901	9612-13-3901
41	2	Screw for seal housing .....	9611-99-0203	9611-99-0203	9611-99-0203
42	2	Water flush pipe .....	9612-35-8901	9612-35-8901	9612-35-8901
43>○	1	Lip seal .....	31446-0088-2	31446-0088-2	31446-0088-2
44>◆○◇	1	Seal housing O-ring .....	9611-99-2153	9611-99-2153	9611-99-2153
45>○	1	Drive ring O-ring .....	9611-99-2145	9611-99-2145	9611-99-2145
50◆◇	1	O-ring .....	9611-99-2156	9611-99-2156	9611-99-2156
51◆◇	1	Sec. stationary seal ring, SC .....	9612-13-8302	9612-13-8302	9612-13-8302
52◆◇	1	Spacer .....	9612-30-8901	9612-30-8901	9612-30-8901

Parts marked with →, >, ◆ are included in the seal kits.

Parts marked with →, >, ◆, □, ○, ◇ are included in the service kits.

Recommended Spare Parts: Service kits

Alfa Laval



CSI

CONTACT CSI FOR MORE INFORMATION | CSIDESIGNS.COM | SALES@CSIDESIGNS.COM | 417.831.1411

# Alfa Laval

Pos.	Qty.	Description	1-40 Hp Part No.
<b>Seal Kit for Single Shaft Seal</b>			
→	1	C/SC seal kit, EPDM .....	9612-1296-09
→	1	C/SC seal kit, NBR .....	9612-1296-10
→	1	C/SC seal kit, FPM .....	9612-1296-11
→	1	SC/SC seal kit, EPDM .....	9612-1296-05
→	1	SC/SC seal kit, NBR .....	9612-1296-06
→	1	SC/SC seal kit, FPM .....	9612-1296-07

<b>Seal Kit for Flushed Shaft Seal</b>			
>	1	C/SC seal kit, EPDM .....	9612-1296-25
>	1	C/SC seal kit, NBR .....	9612-1296-26
>	1	C/SC seal kit, FPM .....	9612-1296-27
>	1	SC/SC seal kit, EPDM .....	9612-1296-29
>	1	SC/SC seal kit, NBR .....	9612-1296-30
>	1	SC/SC seal kit, FPM .....	9612-1296-31

<b>Seal Kit for Double Mechanical Shaft Seal</b>			
◆	1	C/SC seal kit, EPDM .....	9612-1296-13
◆	1	C/SC seal kit, NBR .....	9612-1296-14
◆	1	C/SC seal kit, FPM .....	9612-1296-15
◆	1	SC/SC seal kit, EPDM .....	9612-1296-17
◆	1	SC/SC seal kit, NBR .....	9612-1296-18
◆	1	SC/SC seal kit, FPM .....	9612-1296-19

Parts marked with →, >, ◆ are included in the seal kits.

<b>Service Kit for Single Shaft Seal</b>			<b>C/SIC</b>	<b>SIC/SIC</b>
□	1	Service kit, EPDM .....	9611-92-2130	9611-92-2623
□	1	Service kit, NBR .....	9611-92-2131	9611-92-2624
□	1	Service kit, FPM .....	9611-92-2132	9611-92-2625
□	1	Service kit, PTFE .....	9611-92-2133	9611-92-2626

<b>Service Kit for Flushed Shaft Seal</b>			<b>C/SIC</b>	<b>SIC/SIC</b>
○	1	Service kit, EPDM .....	9611-92-2134	9611-92-2631
○	1	Service kit, NBR .....	9611-92-2135	9611-92-2632
○	1	Service kit, FPM .....	9611-92-2136	9611-92-2633
○	1	Service kit, PTFE .....	9611-92-2137	9611-92-2634

<b>Service Kit for Double Mechanical Shaft Seal</b>			<b>C/SIC</b>	<b>SIC/SIC</b>
◇	1	Service kit, EPDM .....	9911-92-2234	9611-92-2639
◇	1	Service kit, NBR .....	9611-92-2235	9611-92-2640
◇	1	Service kit, FPM .....	9611-92-2236	9611-92-2641
◇	1	Service kit, PTFE .....	9611-92-2237	9611-92-2642

Parts marked with →, >, ◆, □, ○, ◇ are included in the service kits.

<b>Conversion Kits</b>			
1	Single to flushed shaft seal .....	9611-92-2042	
	(The conversion kit contains Pos. 10, 40, 41, 42, 43, 44, 45)		
1	Single to double mechanical shaft seal .....	9611-92-2175	
	(The conversion kit contains Pos. 14, 15, 40a, 41, 42, 44, 50, 51, 52)		
1	Flushed to double mechanical shaft seal .....	9611-92-2176	
	(The conversion kit contains Pos. 14, 40a, 50, 51, 52)		

<b>Accessories</b>			
1	Tool complete .....	9612-9036-01	

Recommended Spare Parts: Service kit

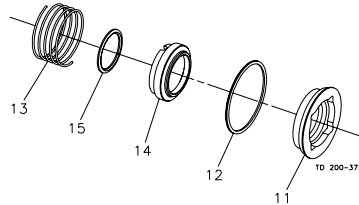
**Alfa Laval**



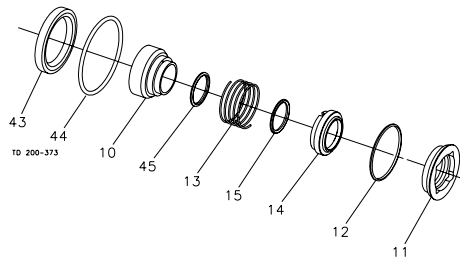
**CSI**

CONTACT CSI FOR MORE INFORMATION | CSIDESIGNS.COM | SALES@CSIDESIGNS.COM | 417.831.1411

Single Shaft Seal



Flushed Shaft Seal



Double Mechanical Shaft Seal

