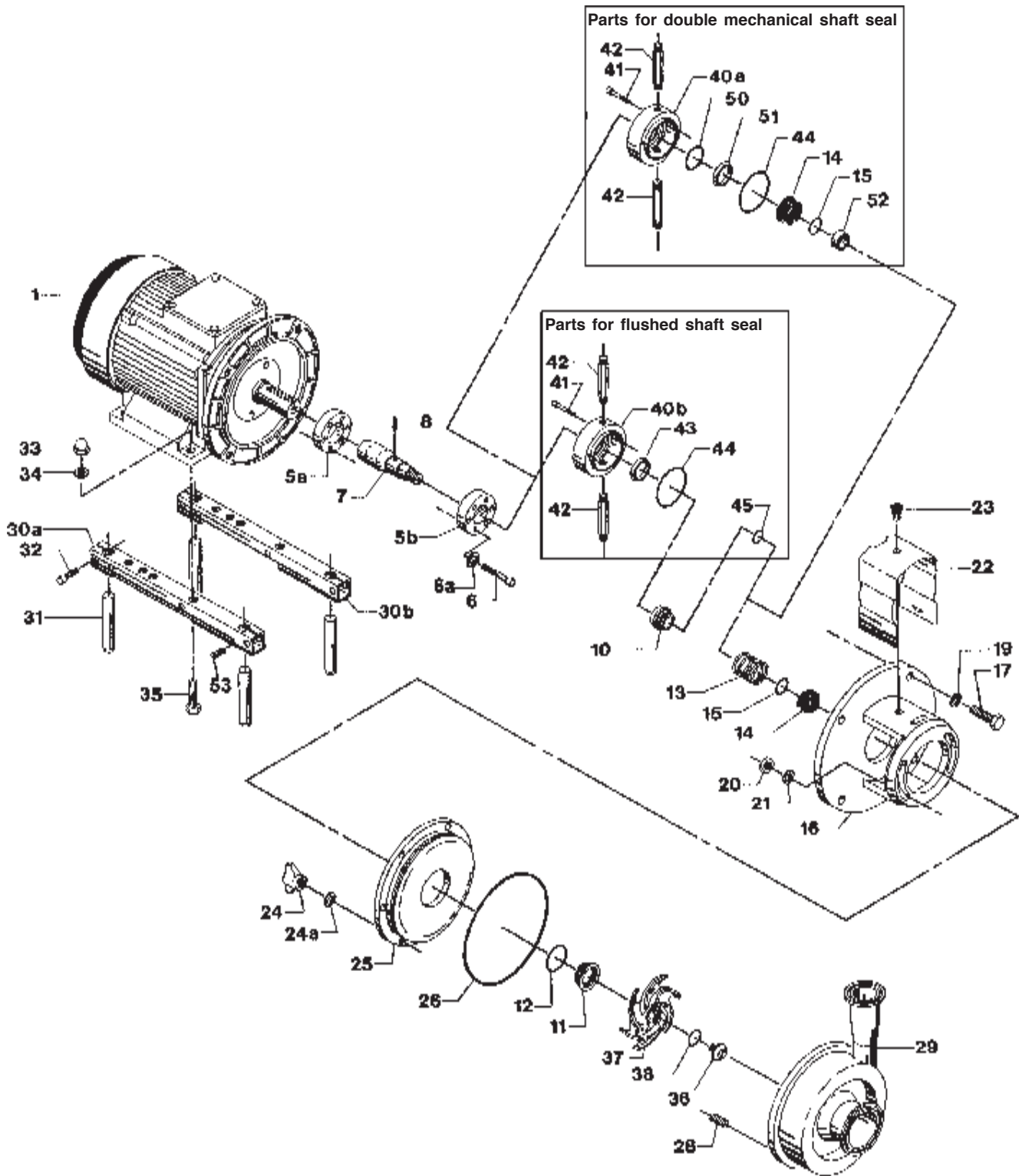


Back to start

Alfa Laval

Centrifugal Pump
LKH-50



Pos.	Qty.	Description	7.5-10 Hp Part No.	15-20 Hp Part No.	25-30 Hp Part No.
1	1	Motor			
5a	1	Compression ring with thread	9612-13-3606	9612-13-3603	9612-13-3603
5b	1	Compression ring without thread	9612-13-3706	9612-13-3703	9612-13-3703
6	6	Screw	9611-99-3197	9611-99-3197	9611-99-3198
6a	6	Washer	9611-99-3199	9611-99-3199	9611-99-3199
7	1	Stub shaft	9612-13-3202	9612-13-3302	9612-13-3302
8	1	Connex pin	9611-99-0622	9611-99-0622	9611-99-0622
10	1	Drive ring - single shaft seal	9612-13-7701	9612-13-7701	9612-13-7701
	1	Drive ring - flush shaft seal	9612-13-9701	9612-13-9701	9612-13-9701
11→◆□○◆	1	Stationary seal ring, SC	9612-13-7901	9612-13-7901	9612-13-7901
12→◆□○◆	1	Stationary O-ring, EPDM (standard)	9611-99-2149	9611-99-2149	9611-99-2149
	1	Stationary O-ring, FPM	9611-99-2150	9611-99-2150	9611-99-2150
	1	Stationary O-ring, NBR	9611-99-2151	9611-99-2151	9611-99-2151
	1	Stationary O-ring, PTFE	9611-99-2152	9611-99-2152	9611-99-2152
13→◆□○◆	1	Spring	9612-13-7601	9612-13-7601	9612-13-7601
14→□○	1	Rotating seal ring, Carbon	9612-13-6401	9612-13-6401	9612-13-6401
	1	Rotating seal ring, SC	9612-13-6402	9612-13-6402	9612-13-6402
◆◆	2	Rotating seal ring, Carbon	9612-13-6401	9612-13-6401	9612-13-6401
	2	Rotating seal ring, SC	9612-13-6402	9612-13-6402	9612-13-6402
15→□○	1	Rotating O-ring, EPDM (standard)	9611-99-2145	9611-99-2145	9611-99-2145
	1	Rotating O-ring, FPM	9611-99-2146	9611-99-2146	9611-99-2146
	1	Rotating O-ring, NBR	9611-99-2147	9611-99-2147	9611-99-2147
	1	Rotating O-ring, PTFE	9611-99-2148	9611-99-2148	9611-99-2148
◆◆	2	Rotating O-ring, EPDM (standard)	9611-99-2145	9611-99-2145	9611-99-2145
	2	Rotating O-ring, FPM	9611-99-2146	9611-99-2146	9611-99-2146
	2	Rotating O-ring, NBR	9611-99-2147	9611-99-2147	9611-99-2147
	2	Rotating O-ring, PTFE	9611-99-2148	9611-99-2148	9611-99-2148
16	1	Adaptor	9612-13-5912	9612-13-5913	9612-13-5918
17	4	Adaptor screw	180148	180148	180148
19	4	Adaptor spring washer	189971	189971	189971
20	2	Adaptor nut	9611-99-0353	9611-99-0353	9611-99-0353
21	2	Washer	9611-99-2559	9611-99-2559	9611-99-2559
22	1	Safety guard	9612-13-1110	9612-13-1108	9612-13-1108
23	1	Safety guard screw	9611-99-2544	9611-99-2544	9611-99-2544
24	6	Wingnuts	9611-41-6892	9611-41-6892	9611-41-6892
24a	6	Spring washer	9611-99-1887	9611-99-1887	9611-99-1887
25	1	Back plate polished	9612-13-8418	9612-13-8418	9612-13-8418
26□○◆	1	Joint ring, EPDM (standard)	9611-99-2171	9611-99-2171	9611-99-2171
	1	Joint ring, FPM	9611-99-2172	9611-99-2172	9611-99-2172
	1	Joint ring, NBR	9611-99-2173	9611-99-2173	9611-99-2173
	1	Joint ring, PTFE/SFY.....	9611-99-2174	9611-99-2174	9611-99-2174
28	6	Stud bolt	9611-99-2169	9611-99-2169	9611-99-2169
29	1	Pump casing	9612-12-9301	9612-12-9301	9612-12-9301
30a-35	1	Leg assembly	481663	481665	481669
36	1	Impeller screw	9612-13-9603	9612-13-9603	9612-13-9603
37	1	Impeller polished, full	9612132015	9612132015	9612132015
38□○◆	1	Impeller O-ring, EPDM (standard)	9611-99-2145	9611-99-2145	9611-99-2145
	1	Impeller O-ring, FPM	9611-99-2146	9611-99-2146	9611-99-2146
	1	Impeller O-ring, NBR	9611-99-2147	9611-99-2147	9611-99-2147
	1	Impeller O-ring, PTFE	9611-99-2148	9611-99-2148	9611-99-2148
40a	1	Seal housing - double mechanical	9612-13-3902	9612-13-3902	9612-13-3902
40b	1	Seal housing - flushed	9612-13-3901	9612-13-3901	9612-13-3901
41	2	Screw for seal housing	9611-99-0203	9611-99-0203	9611-99-0203
42	2	Water flush pipe	9612-35-8901	9612-35-8901	9612-35-8901
43>○	1	Lip seal	31446-0088-2	31446-0088-2	31446-0088-2
44>◆○◆	1	Seal housing O-ring	9611-99-2153	9611-99-2153	9611-99-2153
45>○	1	Drive ring O-ring	9611-99-2145	9611-99-2145	9611-99-2145
50◆◆	1	O-ring	9611-99-2156	9611-99-2156	9611-99-2156
51◆◆	1	Sec. stationary seal ring, SC	9612-13-8302	9612-13-8302	9612-13-8302
52◆◆	1	Spacer	9612-30-8901	9612-30-8901	9612-30-8901

Parts marked with →, >, ◆ are included in the seal kits.

Parts marked with →, >, ◆, □, ○, ◆ are included in the service kits.

Recommended Spare Parts: Service kits



CSI

CONTACT CSI FOR MORE INFORMATION | CSIDESIGNS.COM | SALES@CSIDESIGNS.COM | 417.831.1411

Alfa Laval

Pos.	Qty.	Description	1-40 Hp Part No.	
Seal Kit for Single Shaft Seal				
→	1	C/SC seal kit, EPDM	9612-1296-09	
→	1	C/SC seal kit, NBR	9612-1296-10	
→	1	C/SC seal kit, FPM	9612-1296-11	
→	1	SC/SC seal kit, EPDM	9612-1296-05	
→	1	SC/SC seal kit, NBR	9612-1296-06	
→	1	SC/SC seal kit, FPM	9612-1296-07	
Seal Kit for Flushed Shaft Seal				
>	1	C/SC seal kit, EPDM	9612-1296-25	
>	1	C/SC seal kit, NBR	9612-1296-26	
>	1	C/SC seal kit, FPM	9612-1296-27	
>	1	SC/SC seal kit, EPDM	9612-1296-29	
>	1	SC/SC seal kit, NBR	9612-1296-30	
>	1	SC/SC seal kit, FPM	9612-1296-31	
Seal Kit for Double Mechanical Shaft Seal				
◆	1	C/SC seal kit, EPDM	9612-1296-13	
◆	1	C/SC seal kit, NBR	9612-1296-14	
◆	1	C/SC seal kit, FPM	9612-1296-15	
◆	1	SC/SC seal kit, EPDM	9612-1296-17	
◆	1	SC/SC seal kit, NBR	9612-1296-18	
◆	1	SC/SC seal kit, FPM	9612-1296-19	
Parts marked with →, >, ◆ are included in the seal kits.				
Service Kit for Single Shaft Seal				
□	1	Service kit, EPDM	C/SIC 9611-92-2130	SIC/SIC 9611-92-2623
□	1	Service kit, NBR	9611-92-2131	9611-92-2624
□	1	Service kit, FPM	9611-92-2132	9611-92-2625
□	1	Service kit, PTFE	9611-92-2133	9611-92-2626
Service Kit for Flushed Shaft Seal				
○	1	Service kit, EPDM	C/SIC 9611-92-2134	SIC/SIC 9611-92-2631
○	1	Service kit, NBR	9611-92-2135	9611-92-2632
○	1	Service kit, FPM	9611-92-2136	9611-92-2633
○	1	Service kit, PTFE	9611-92-2137	9611-92-2634
Service Kit for Double Mechanical Shaft Seal				
◇	1	Service kit, EPDM	C/SIC 9911-92-2234	SIC/SIC 9611-92-2639
◇	1	Service kit, NBR	9611-92-2235	9611-92-2640
◇	1	Service kit, FPM	9611-92-2236	9611-92-2641
◇	1	Service kit, PTFE	9611-92-2237	9611-92-2642
Parts marked with →, >, ◆, □, ○, ◇ are included in the service kits.				
Conversion Kits				
1	1	Single to flushed shaft seal	9611-92-2042	
		(The conversion kit contains Pos. 10, 40, 41, 42, 43, 44, 45)		
1	1	Single to double mechanical shaft seal	9611-92-2175	
		(The conversion kit contains Pos. 14, 15, 40a, 41, 42, 44, 50, 51, 52)		
1	1	Flushed to double mechanical shaft seal	9611-92-2176	
		(The conversion kit contains Pos. 14, 40a, 50, 51, 52)		
Accessories				
1	1	Tool complete	9612-9036-01	

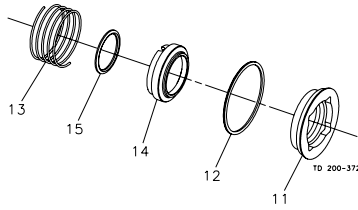
Recommended Spare Parts: Service kits

Alfa Laval

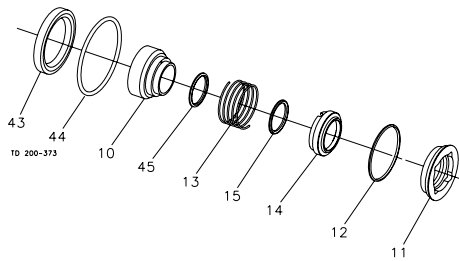


CSI

Single Shaft Seal



Flushed Shaft Seal



Double Mechanical Shaft Seal

