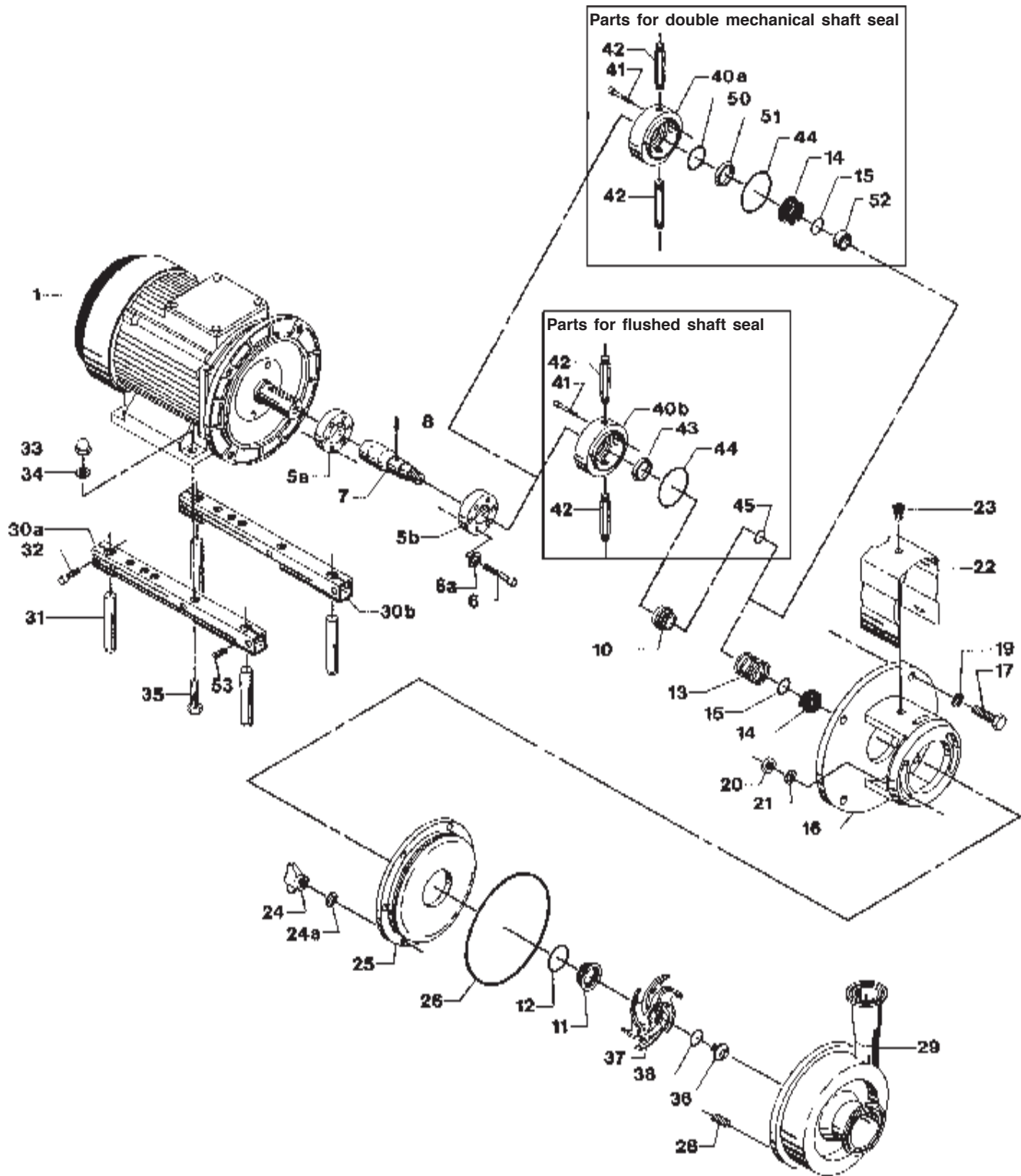


Back to start

Alfa Laval

Centrifugal Pump  
LKH-60



Pos.	Qty.	Description	7.5-10 Hp Part No.	15-20 Hp Part No.	25-30 Hp Part No.	40HP Part No.
1	1	Motor				
5a	1	Compression ring with thread .....	9612-13-3606	9612-13-3603	9612-13-3603	9612-13-3604
5b	1	Compression ring without thread .....	9612-13-3706	9612-13-3703	9612-13-3703	9612-13-3704
6	6	Screw .....	9611-99-3197	9611-99-3197	9611-99-3198	9611-99-3198
6a	6	Washer .....	9611-99-3199	9611-99-3199	9611-99-3199	9611-99-3199
7	1	Stub shaft.....	9612-13-3202	9612-13-3302	9612-13-3302	9612-13-3402
8	1	Connex pin .....	9611-99-0622	9611-99-0622	9611-99-0622	9611-99-0622
10	1	Drive ring - single shaft seal .....	9612-13-7701	9612-13-7701	9612-13-7701	9612-13-7701
	1	Drive ring - flush shaft seal .....	9612-13-9701	9612-13-9701	9612-13-9701	9612-13-9701
11 <sub>a</sub> ◊ ◊ ◊ ◊ ◊	1	Stationary seal ring, SC .....	9612-13-7901	9612-13-7901	9612-13-7901	9612-13-7901
12 <sub>a</sub> ◊ ◊ ◊ ◊ ◊	1	Stationary O-ring, EPDM (standard).....	9611-99-2149	9611-99-2149	9611-99-2149	9611-99-2149
	1	Stationary O-ring, FPM.....	9611-99-2150	9611-99-2150	9611-99-2150	9611-99-2150
	1	Stationary O-ring, NBR.....	9611-99-2151	9611-99-2151	9611-99-2151	9611-99-2151
	1	Stationary O-ring, PTFE.....	9611-99-2152	9611-99-2152	9611-99-2152	9611-99-2152
13 <sub>a</sub> ◊ ◊ ◊ ◊ ◊	1	Spring .....	9612-13-7601	9612-13-7601	9612-13-7601	9612-13-7601
14 <sub>a</sub> ◊ ◊ ◊	1	Rotating seal ring, Carbon .....	9612-13-6401	9612-13-6401	9612-13-6401	9612-13-6401
	1	Rotating seal ring, SC.....	9612-13-6402	9612-13-6402	9612-13-6402	9612-13-6402
◊ ◊	2	Rotating seal ring, Carbon .....	9612-13-6401	9612-13-6401	9612-13-6401	9612-13-6401
	2	Rotating seal ring, SC.....	9612-13-6402	9612-13-6402	9612-13-6402	9612-13-6402
15 <sub>a</sub> ◊ ◊ ◊	1	Rotating O-ring, EPDM (standard) .....	9611-99-2145	9611-99-2145	9611-99-2145	9611-99-2145
	1	Rotating O-ring, FPM .....	9611-99-2146	9611-99-2146	9611-99-2146	9611-99-2146
	1	Rotating O-ring, NBR .....	9611-99-2147	9611-99-2147	9611-99-2147	9611-99-2147
	1	Rotating O-ring, PTFE .....	9611-99-2148	9611-99-2148	9611-99-2148	9611-99-2148
◊ ◊	2	Rotating O-ring, EPDM (standard) .....	9611-99-2145	9611-99-2145	9611-99-2145	9611-99-2145
	2	Rotating O-ring, FPM .....	9611-99-2146	9611-99-2146	9611-99-2146	9611-99-2146
	2	Rotating O-ring, NBR .....	9611-99-2147	9611-99-2147	9611-99-2147	9611-99-2147
	2	Rotating O-ring, PTFE .....	9611-99-2148	9611-99-2148	9611-99-2148	9611-99-2148
16	1	Adaptor.....	9612-13-5912	9612-13-5913	9612-13-5918	9612-13-5924
17	4	Adaptor screw .....	180148	180148	180148	180148
19	4	Adaptor spring washer .....	189971	189971	189971	189971
20	2	Adaptor nut.....	9611-99-0353	9611-99-0353	9611-99-0353	9611-99-0353
21	2	Washer .....	9611-99-2559	9611-99-2559	9611-99-2559	9611-99-2559
22	1	Safety guard.....	9612-13-1110	9612-13-1108	9612-13-1108	9612-13-1108
23	1	Safety guard screw .....	9611-99-2544	9611-99-2544	9611-99-2544	9611-99-2544
24	6	Wingnuts.....	9611-41-6892	9611-41-6892	9611-41-6892	9611-41-6892
24a	6	Spring washer .....	9611-99-1887	9611-99-1887	9611-99-1887	9611-99-1887
25	1	Back plate polished .....	9612-13-8418	9612-13-8418	9612-13-8418	9612-13-8418
26 ◊ ◊ ◊	1	Joint ring, EPDM (standard).....	9611-99-2171	9611-99-2171	9611-99-2171	9611-99-2171
	1	Joint ring, FPM .....	9611-99-2172	9611-99-2172	9611-99-2172	9611-99-2172
	1	Joint ring, NBR .....	9611-99-2173	9611-99-2173	9611-99-2173	9611-99-2173
	1	Joint ring, PTFE/SFY.....	9611-99-2174	9611-99-2174	9611-99-2174	9611-99-2174
28	6	Stud bolt.....	9611-99-2169	9611-99-2169	9611-99-2169	9611-99-2169
29	1	Pump casing 4x4.....	883-41705	883-41705	883-41705	883-41286
		Pump casing 6x4.....	88341286	88341286	88341286	88341286
30a-35	1	Leg assembly.....	481663	481665	481669	9634-05-6195
36	1	Impeller screw.....	9612-13-9603	9612-13-9603	9612-13-9603	9612-13-9603
37	1	Impeller polished, full.....	9612-12-8315	9612-12-8315	9612-12-8315	9612-12-8315
38 ◊ ◊ ◊	1	Impeller O-ring, EPDM (standard).....	9611-99-2145	9611-99-2145	9611-99-2145	9611-99-2145
	1	Impeller O-ring, FPM.....	9611-99-2146	9611-99-2146	9611-99-2146	9611-99-2146
	1	Impeller O-ring, NBR.....	9611-99-2147	9611-99-2147	9611-99-2147	9611-99-2147
	1	Impeller O-ring, PTFE.....	9611-99-2148	9611-99-2148	9611-99-2148	9611-99-2148
40a	1	Seal housing - double mechanical .....	9612-13-3902	9612-13-3902	9612-13-3902	9612-13-3902
40b	1	Seal housing - flushed.....	9612-13-3901	9612-13-3901	9612-13-3901	9612-13-3901
41	2	Screw for seal housing .....	9611-99-0203	9611-99-0203	9611-99-0203	9611-99-0203
42	2	Water flush pipe .....	9612-35-8901	9612-35-8901	9612-35-8901	9612-35-8901
43 ◊ ◊	1	Lip seal .....	31446-0088-2	31446-0088-2	31446-0088-2	31446-0088-2
44 ◊ ◊ ◊ ◊	1	Seal housing O-ring .....	9611-99-2153	9611-99-2153	9611-99-2153	9611-99-2153
45 ◊ ◊	1	Drive ring O-ring .....	9611-99-2145	9611-99-2145	9611-99-2145	9611-99-2145
50 ◊ ◊	1	O-ring .....	9611-99-2156	9611-99-2156	9611-99-2156	9611-99-2156
51 ◊ ◊ ◊	1	Sec. stationary seal ring, SC.....	9612-13-8302	9612-13-8302	9612-13-8302	9612-13-8302
52 ◊ ◊	1	Spacer.....	9612-30-8901	9612-30-8901	9612-30-8901	9612-30-8901

Parts marked with <sub>a</sub>, ◊, ◊ are included in the seal kits.

Parts marked with <sub>a</sub>, ◊, ◊, ◊, ◊, ◊ are included in the service kits.

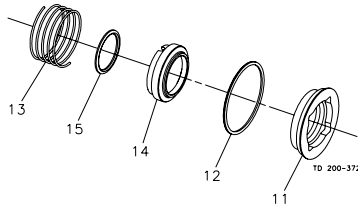
Recommended Spare Parts: Service kits



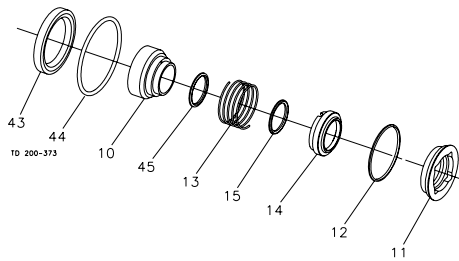
CSI

CONTACT CSI FOR MORE INFORMATION | CSIDESIGNS.COM | SALES@CSIDESIGNS.COM | 417.831.1411

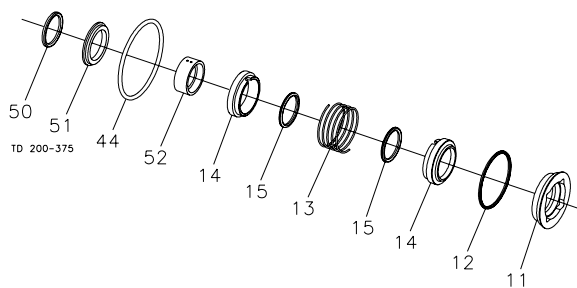
Single Shaft Seal



Flushed Shaft Seal



Double Mechanical Shaft Seal



# Alfa Laval

Pos.	Qty.	Description	1-40 Hp Part No.
<b>Seal Kit for Single Shaft Seal</b>			
→	1	C/SC seal kit, EPDM .....	9612-1296-09
→	1	C/SC seal kit, NBR .....	9612-1296-10
→	1	C/SC seal kit, FPM .....	9612-1296-11
→	1	SC/SC seal kit, EPDM .....	9612-1296-05
→	1	SC/SC seal kit, NBR .....	9612-1296-06
→	1	SC/SC seal kit, FPM .....	9612-1296-07
<b>Seal Kit for Flushed Shaft Seal</b>			
>	1	C/SC seal kit, EPDM .....	9612-1296-25
>	1	C/SC seal kit, NBR .....	9612-1296-26
>	1	C/SC seal kit, FPM .....	9612-1296-27
>	1	SC/SC seal kit, EPDM .....	9612-1296-29
>	1	SC/SC seal kit, NBR .....	9612-1296-30
>	1	SC/SC seal kit, FPM .....	9612-1296-31
<b>Seal Kit for Double Mechanical Shaft Seal</b>			
◆	1	C/SC seal kit, EPDM .....	9612-1296-13
◆	1	C/SC seal kit, NBR .....	9612-1296-14
◆	1	C/SC seal kit, FPM .....	9612-1296-15
◆	1	SC/SC seal kit, EPDM .....	9612-1296-17
◆	1	SC/SC seal kit, NBR .....	9612-1296-18
◆	1	SC/SC seal kit, FPM .....	9612-1296-19
Parts marked with →, >, ◆ are included in the seal kits.			
<b>Service Kit for Single Shaft Seal</b>			
□	1	Service kit, EPDM .....	C/SIC 9611-92-2130
□	1	Service kit, NBR .....	SIC/SIC 9611-92-2131
□	1	Service kit, FPM .....	9611-92-2132
□	1	Service kit, PTFE .....	9611-92-2133
<b>Service Kit for Flushed Shaft Seal</b>			
○	1	Service kit, EPDM .....	C/SIC 9611-92-2134
○	1	Service kit, NBR .....	SIC/SIC 9611-92-2135
○	1	Service kit, FPM .....	9611-92-2136
○	1	Service kit, PTFE .....	9611-92-2137
<b>Service Kit for Double Mechanical Shaft Seal</b>			
◇	1	Service kit, EPDM .....	C/SIC 9911-92-2234
◇	1	Service kit, NBR .....	SIC/SIC 9611-92-2235
◇	1	Service kit, FPM .....	9611-92-2236
◇	1	Service kit, PTFE .....	9611-92-2237
Parts marked with →, >, ◆, □, ○, ◇ are included in the service kits.			
<b>Conversion Kits</b>			
1		Single to flushed shaft seal .....	9611-92-2042
		(The conversion kit contains Pos. 10, 40, 41, 42, 43, 44, 45)	
1		Single to double mechanical shaft seal .....	9611-92-2175
		(The conversion kit contains Pos. 14, 15, 40a, 41, 42, 44, 50, 51, 52)	
1		Flushed to double mechanical shaft seal .....	9611-92-2176
		(The conversion kit contains Pos. 14, 40a, 50, 51, 52)	
<b>Accessories</b>			
1		Tool complete .....	9612-9036-01

Recommended Spare Parts: Service kits

**Alfa Laval**



CSI