



**CSI**

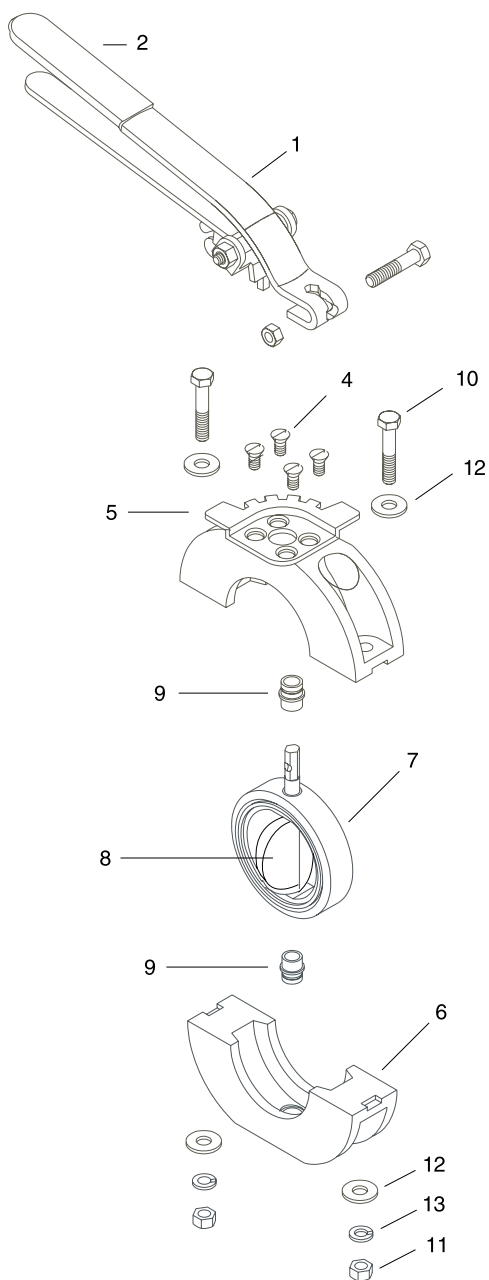
417.831.1411  
csidesigns.com

# PARTS LIST

All orders for repair parts must contain the following data:

1. Complete model number.
2. Complete description and part number.

The following exploded view and accompanying parts list facilitate order repair parts from the factory. All parts illustrated are indexed to the parts list by key numbers.



# Parts List

## A51L Butterfly Valves

Key #	Description*	A51RL-1½-X-A	A51RL-2-X-A	A51RL-2½-X-A	A51RL-3-X-A	A51RL-4-X-A	No. Req'd.
		1½"	2"	2½"	3"	4"	
1	Handle Assembly	51L-1½-48G-S	51L-2-48G-S	51L-2-48G-S	51L-3-48G-S	51L-4-48G-S	1
2	Handle Sleeve	51-1½-48G-06-35A	51-2-48G-06-35A	51-2-48G-06-35A	51-2-48G-06-35A	51-4-48G-06-35A	1
3	Stop Plate	51-1½-86D-S	51-1½-86D-S	51-1½-86D-S	51-1½-86D-S	51-4-86C-S	1
4	Screw	SC1005D-SS	SC1105D-SS	SC1105D-SS	SC1105D-SS	SC1105D-SS	4
5	Upper Body-A51L	51-1½-01B-01-A	51-2-01B-01-A	51-2½-01A-01-A	51-3-01A-01-A	51-4-01B-01-A	1
	Upper Body-A51RL	51R-1½-01B-01-A	51R-2-01B-01-A	51R-2½-01A-01-A	51R-3-01A-01-A	51R-4-01B-01-A	1
	Upper Body - A52 / A53	52-1½-01B-01-A	52-2-01B-01-A	52-2½-01A-01-A	52-3-01A-01-A	51-4-01B-01-A	1
6	Lower Body-A51L	51-1½-01A-02-A	51-2-01A-02-A	51-2½-01-02-A	51-3-01-02-A	51-4-01-02-A	1
	Lower Body-A51RL	51R-1½-01A-02A	51R-2-01A-02-A	51R-2½-01-02-A	51R-3-01-02-A	51R-4-01-02-A	1
7	Seat**	51-1½-42A-X	51-2-42A-X	51-2½-42-X	51-3-42-X	51-4-42-X	1
8	Disc A51L/RL	51-1½-05D-316	51-2-05D-316	51-2½-05D-316	51-3-05D-316	51-4-05D-316	1
9	Bushing	51-1½-08A	51-2-08A	51-2½-08	51-3-08	51-4-08	2
10	Screw	SC1316H-SS	SC1316H-SS	SC1316H-SS	SC1316H-SS	SC1316H-SS	2
11	Nut	NU1300H-E	NU1300H-E	NU1300H-E	NU1300-E	NU1300H-E	2
12	Washer	WA1300-SS	WA1300-SS	WA1300-SS	WA1300-SS	WA1300-SS	4
13	Lockwasher	LWA1300-SS	LWA1300-SS	LWA1300-SS	LWA1300-SS	LWA1300-SS	2

\* A51L = Tube OD, locking handle (std.), or A51RL = Tube OD, recessless ferrule, locking handle.

\*\* "X" as it appears on above charts designates choice of seat material (Item No. &). EDPM is provided as standard- "E" designates EDPM material  
 Contact Tri-Clover for availability of other seat materials. To avoid confusion when ordering replacement parts, please WRITE OUT choice of seat material.  
 Example: A51L-11/2-E (EPDM)-A

