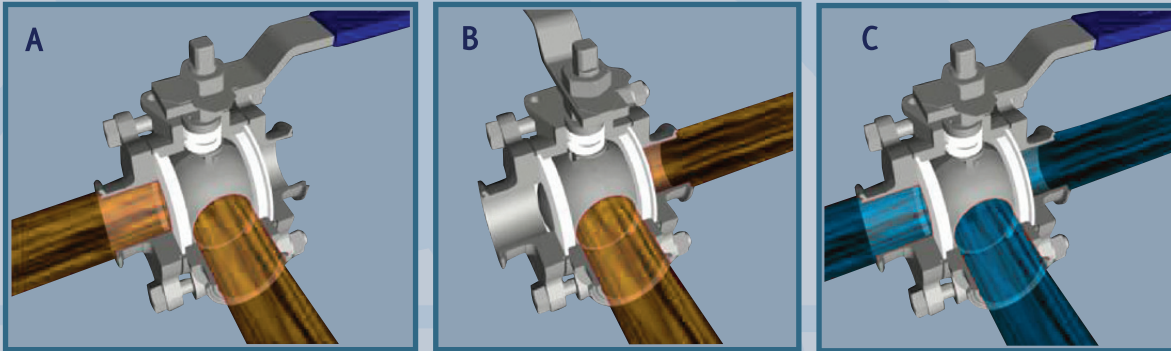


DIVERTER vs MULTIPOINT

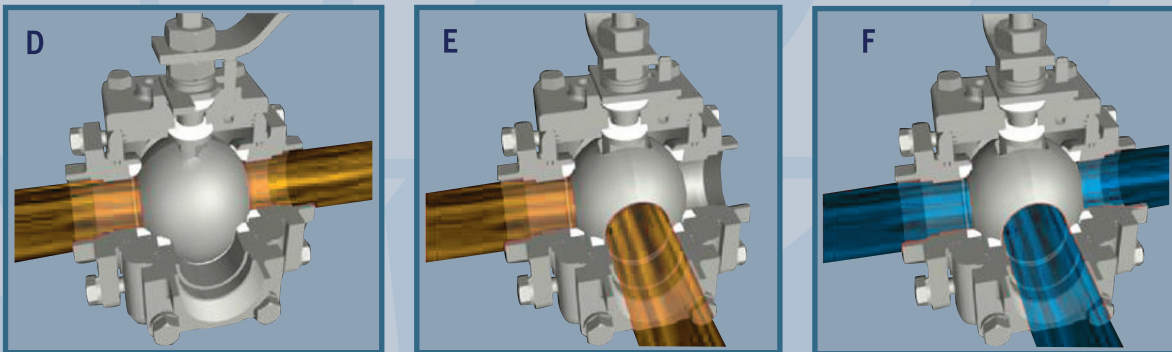
TRU-FLO
Valves & Automation

Diverter Port



The **Tru-Flo** 3-way diverter port ball valve is designed to have the center port act as the common port and must be open at all times. You can use the L-port diverter to go from center to left (Fig. A) or to go from center to right (Fig. B). The T-port diverter can do the same configurations as the L-port but can also have all three ports opened at once (Fig. C).

Multipoint



The multipoint is designed for applications requiring a 3-way ball valve to close the center port and have the flow go straight through the valve (Fig. D). It allows for a positive seal thus eliminating the need for a common port. The L-port can go from center to left (Fig. E) or center to right. The T-port can do the above configurations in addition to all three ports opened at once (Fig. F).



127 Village Lane
Easley, SC 29642

p: (864)605-0150
f: (864)605-0830

www.tru-flo.com
sales@tru-flo.com