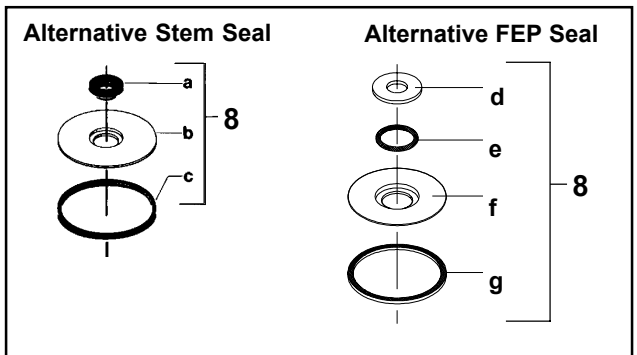
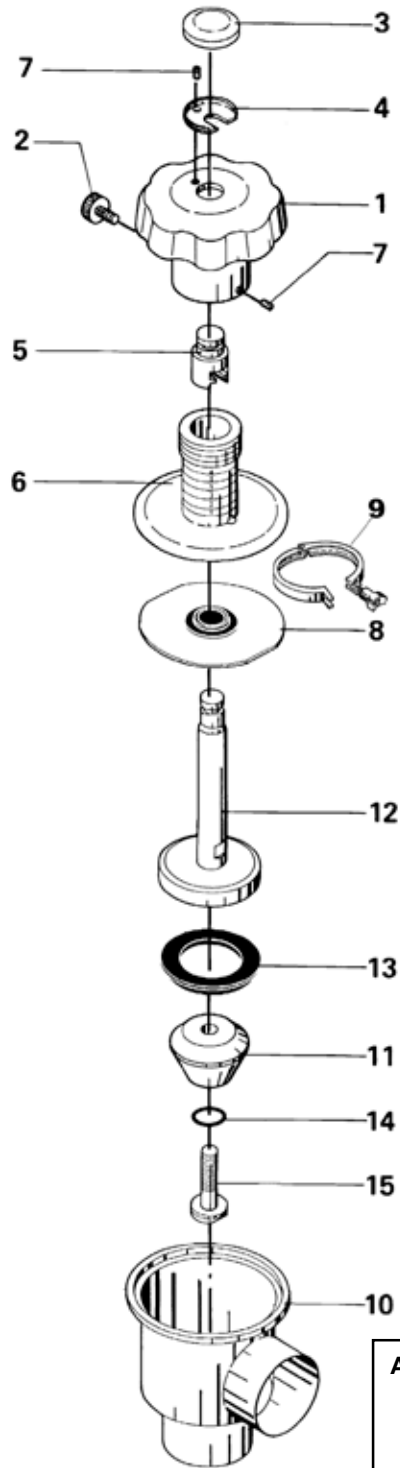


Alfa Laval



Sanitary Manually Regulating Valve SMO-R Valve

Operating Mechanism

Pos.	Qty.	Description	1.5-inch Part No.	2-inch Part No.	2.5-inch Part No.	3-inch Part No.	4-inch Part No.
	1	Complete operating mechanism, polished	884-28288	884-28288	884-28288	884-28289	884-28289
	1	Complete operating mechanism, industrial ...	31353-0531-1	31353-0531-1	31353-0531-1	31353-0531-2	31353-0531-2
1	1	Hand wheel	31353-0528-1	31353-0528-1	31353-0528-1	31353-0528-1	31353-0528-1
2	1	Lock screw	31353-0529-1	31353-0529-1	31353-0529-1	31353-0529-1	31353-0529-1
3	1	Cap	31353-0468-1	31353-0468-1	31353-0468-1	31353-0468-1	31353-0468-1
4	1	Washer	31353-0467-1	31353-0467-1	31353-0467-1	31353-0467-1	31353-0467-1
5	1	Stem holder	31353-0466-1	31353-0466-1	31353-0466-1	31353-0466-1	31353-0466-1
6	1	Guide	31353-0459-1	31353-0459-1	31353-0459-1	31353-0460-1	31353-0460-1
7	2	Set screw	221581-92	221581-92	221581-92	221581-92	221581-92

Valve Parts

Pos.	Qty.	Description	1.5-inch Part No.	2-inch Part No.	2.5-inch Part No.	3-inch Part No.	4-inch Part No.
Stem Seal							
8Δ	1	Lip seal, EPDM (standard)	31353-0155-1	31353-0155-1	31353-0155-1	31353-0188-1	31353-0188-1
	1	Lip seal, NBR	31353-0155-2	31353-0155-2	31353-0155-2	31353-0188-2	31353-0188-2
	1	Lip seal, FPM	31353-0155-3	31353-0155-3	31353-0155-3	31353-0188-3	31353-0188-3
Clamp							
9	1	Heavy duty clamp	9612-0112-04	9612-01-1204	9612-01-1204	9612-01-1205	9612-01-1205
Valve Body (industrial)							
18	1	Valve body, 2 ports, GC	884-25325-0	31353-0030-7	31353-0031-7	31353-0032-7	31353-0066-7
	1	Valve body, 2 ports, W	31353-0375-1	31353-0376-1	31353-0380-1	31353-0381-1	31353-0026-1
	1	Valve body, 3 ports, GC	884-25796-0	884-2579-5	884-2594-6	31353-0040-7	884-2687-5
	1	Valve body, 3 ports, W	31353-0375-6	31353-0376-6	31353-0380-6	31353-0381-6	31353-0026-6
Valve Body (polished)							
18	1	Valve body, lower 2 ports, GC	31353-103010	31353-1030-2	31353-1030-3	31353-1030-4	31353-1030-5
	1	Valve body, lower 2 ports, W	31353-1100-1	31353-1101-1	31353-1102-1	31353-1103-1	31353-1104-1
	1	Valve body, lower 3 ports, GC	31353-103310	31353-1033-2	31353-1031-3	31353-1031-4	31353-1031-5
	1	Valve body, lower 3 ports, W	31353-1100-2	31353-1101-2	31353-1102-2	31353-1103-2	31353-1104-2
Valve Plug							
	1	Plug complete, EPDM (standard)	31353-0520-1	31353-0521-1	31353-0522-1	31353-0523-1	31353-0524-1
	1	Plug complete, NBR	31353-0520-2	31353-0521-2	31353-0522-2	31353-0523-2	31353-0524-2
	1	Plug complete, FPM	31353-0520-3	31353-0521-3	31353-0522-3	31353-0523-3	31353-0524-3
11	1	Regulating plug	31353-0515-1	31353-0516-1	31353-0517-1	31353-0518-1	31353-0519-1
12	1	Stem	31353-0340-1	31353-0377-1	31353-0378-1	31353-0341-1	31353-1007-5
13Δ	1	Packing, EPDM (standard)	31353-0320-1	31353-0321-1	31353-0322-1	31353-0324-1	31353-0325-1
	1	Packing, NBR	31353-0320-2	31353-0321-2	31353-0322-2	31353-0324-2	31353-0325-2
	1	Packing, FPM	31353-0320-3	31353-0321-3	31353-0322-3	31353-0324-3	31353-0325-3
	1	Packing, PTFE	31353-1211-1	31353-1212-1	31353-1213-1	31353-1214-1	31353-1215-1
14Δ	1	O-ring, EPDM (standard)	990034-01	990034-01	990034-01	990034-01	990034-01
	1	O-ring, NBR	223404-21	223404-21	223404-21	223404-21	223404-21
	1	O-ring, FPM	223404-35	223404-35	223404-35	223404-35	223404-35
	1	Seal-ring, PTFE	9612-4330-01	9612-4330-01	9612-4330-01	9612-4330-01	9612-4330-01
15	1	Screw	31353-0514-1	31353-0514-1	31353-0514-1	31353-0514-1	31353-0514-1
Δ	1	Service kit for valve, EPDM	9611-92-0010	9611-92-0013	9611-92-0016	9611-92-0019	9611-92-0022
Δ	1	Service kit for valve, NBR	9611-92-0011	9611-92-0014	9611-92-0017	9611-92-0020	9611-92-0023
Δ	1	Service kit for valve, FPM	9611-92-0012	9611-92-0015	9611-92-0018	9611-92-0021	9611-92-0024

Parts marked with Δ are included in the valve service kits.

Recommended Spare Parts: Service kit



CSI

CONTACT CSI FOR MORE INFORMATION | CSIDESIGNS.COM | SALES@CSIDESIGNS.COM | 417.831.1411

Alternative for Stem Seal

Pos.	Qty.	Description	1.5-inch Part No.	2-inch Part No.	2.5-inch Part No.	3-inch Part No.	4-inch Part No.
Stem Seal							
8	1	Lip seal kit, EPDM (standard)	9611-92-0078	9611-92-0078	9611-92-0078	9611-92-0142	9611-92-0142
	1	Lip seal kit, NBR	9611-92-0079	9611-92-0079	9611-92-0079	9611-92-0143	9611-92-0143
	1	Lip seal kit, FPM	9611-92-0080	9611-92-0080	9611-92-0080	9611-92-0144	9611-92-0144
a	1	Lip seal, EPDM (standard)	9612-2806-01	9612-2806-01	9612-2806-01	9612-3088-01	9612-3088-01
	1	Lip seal, NBR	9612-2806-02	9612-2806-02	9612-2806-02	9612-3088-02	9612-3088-02
	1	Lip seal, FPM	9612-2806-03	9612-2806-03	9612-2806-03	9612-3088-03	9612-3088-03
b	1	Plate	9612-2805-01	9612-2805-01	9612-2805-01	9612-3087-01	9612-3087-01
c	1	Seal ring, EPDM (standard)	31353-0128-1	31353-0128-1	31353-0128-1	31353-0205-1	31353-0205-1
	1	Seal ring, NBR	31353-0128-2	31353-0128-2	31353-0128-2	31353-0205-2	31353-0205-2
	1	Seal ring, FPM	31353-0128-3	31353-0128-3	31353-0128-3	31353-0205-3	31353-0205-3
FEP Seal							
8d	1	Washer	31353-0452-1	31353-0452-1	31353-0452-1	31353-0452-2	31353-0452-2
e	1	O-ring FEP/Silicone	9611-99-2909	9611-99-2909	9611-99-2909	9611-99-2910	9611-99-2910
f	1	Holder	31353-0453-1	31353-0453-1	31353-0453-1	31353-0454-1	31353-0454-1
g	1	Valve body packing	31353-0451-1	31353-0451-1	31353-0451-1	31353-0451-2	31353-0451-2
	1	Service kit for alternative stem seal, EPDM	9611-92-0471	9611-92-0475	9611-92-0479	9611-92-0483	9611-92-0491
	1	Service kit for alternative stem seal, NBR	9611-92-0472	9611-92-0476	9611-92-0480	9611-92-0484	9611-92-0492
	1	Service kit for alternative stem seal, FPM	9611-92-0473	9611-92-0477	9611-92-0481	9611-92-0485	9611-92-0493
	1	Service kit for alternative stem seal, FEP	9611-92-0474	9611-92-0478	9611-92-0482	9611-92-0486	9611-92-0494

Parts marked with ● are included in the alternative stem seal service kits.

