

CL Series Pumps Product Data/Specifications

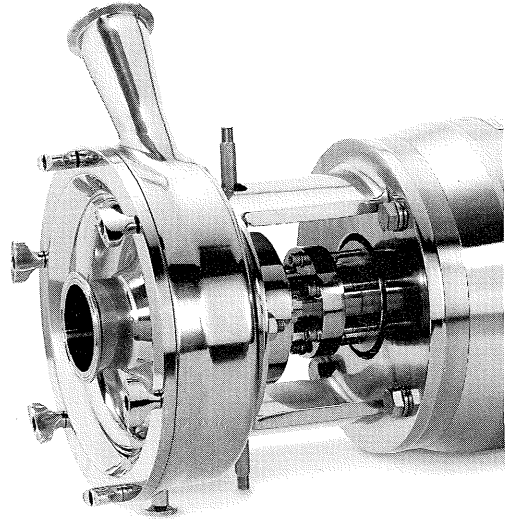
CL Series Pump Traceability

Complete Traceability

Tri-Clover's CL Series Pump now offers the option of having traceability on wetted parts, including:

- rotating seal
- stationary seal
- casing
- impeller
- impeller nut
- cover
- casing drain

When you order a CL pump and request traceability, you'll receive certificates detailing the properties of each of the 316L stainless steel wetted parts. You'll also receive certificates verifying the chemical properties of the materials used in the rotating and stationary Silicon Carbide seals.



Tri-Clover® CL Series Pump

Extensive Documentation

Certification included with the pump provides a complete breakdown of the materials used to produce the wetted parts of the CL pump. This certification ensures that the materials of construction meet the appropriate standards.

Stainless Steel

Certification includes information on:

- Type of material (i.e., 316L)
- Heat number
- Chemical properties

Silicon Carbide

Certification includes information on:

- Type of material (i.e., silicon carbide)
- Batch number
- Chemical properties

MILL TEST REPORT

Tri-Clover Inc.
P.O. Box 1000
1000 W. 10th St.
Tri-Clover, MN 55111

Customer: [Blank]
Part No: [Blank]
Date: [Blank]
Job No: [Blank]

SIZE NO.	PROCESS	MATERIAL	HEAT/TREATMENT	TENSILE	YIELD	ELONG.	REDUCED SECTION	CHEMICAL ANALYSIS	APPROVALS	REMARKS
1	240127	316L	A5103	600	1.24	081	50	0.020	11.10	04
2	240127	316L	A5103	600	1.24	081	50	0.020	11.10	04
3	240127	316L	A5103	600	1.24	081	50	0.020	11.10	04
4	240127	316L	A5103	600	1.24	081	50	0.020	11.10	04
5	240127	316L	A5103	600	1.24	081	50	0.020	11.10	04
6	240127	316L	A5103	600	1.24	081	50	0.020	11.10	04
7	240127	316L	A5103	600	1.24	081	50	0.020	11.10	04
8	240127	316L	A5103	600	1.24	081	50	0.020	11.10	04
9	240127	316L	A5103	600	1.24	081	50	0.020	11.10	04
10	240127	316L	A5103	600	1.24	081	50	0.020	11.10	04

Mechanical Properties

SIZE NO.	MATERIAL	YIELD STRENGTH (MPa)	TENSILE STRENGTH (MPa)	ELONGATION (%)
1	316L	510	650	25
2	316L	510	650	25
3	316L	510	650	25
4	316L	510	650	25
5	316L	510	650	25
6	316L	510	650	25
7	316L	510	650	25
8	316L	510	650	25
9	316L	510	650	25
10	316L	510	650	25

Basic Material Specifications

SIZE NO.	MATERIAL	YIELD STRENGTH (MPa)	TENSILE STRENGTH (MPa)	ELONGATION (%)
1	316L	510	650	25
2	316L	510	650	25
3	316L	510	650	25
4	316L	510	650	25
5	316L	510	650	25
6	316L	510	650	25
7	316L	510	650	25
8	316L	510	650	25
9	316L	510	650	25
10	316L	510	650	25

As Noted on the Material Certificate, the material from which this product was manufactured is certified to meet the requirements of the applicable material specifications. The material was produced by the manufacturer and is certified to meet the requirements of the applicable material specifications. The material was produced by the manufacturer and is certified to meet the requirements of the applicable material specifications.

Tri-Clover Inc. Quality Assurance Manager



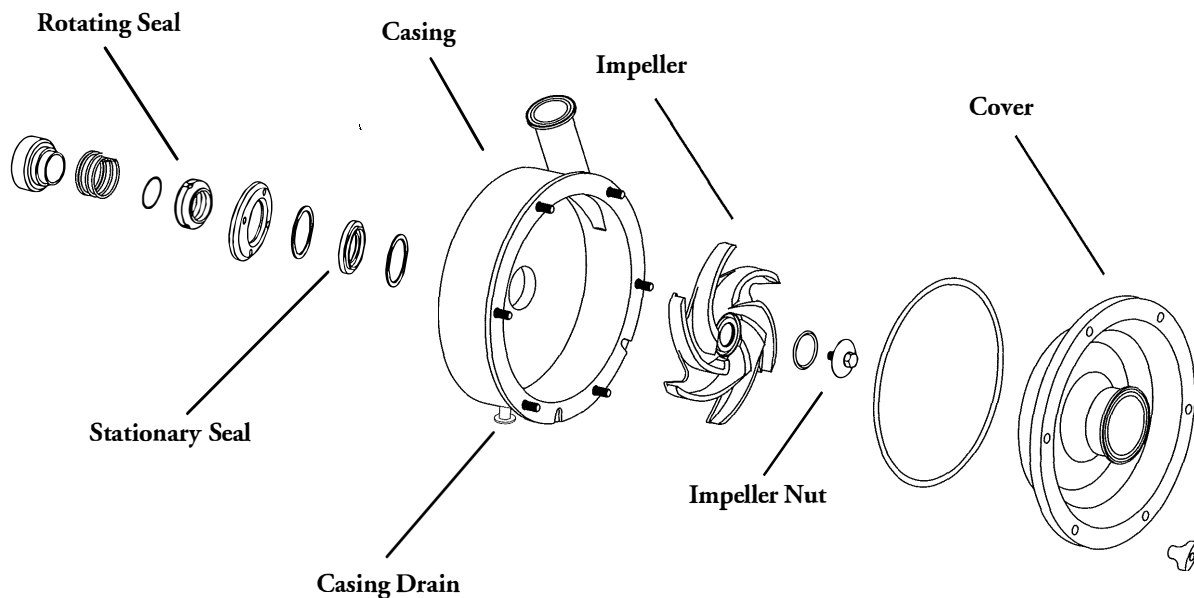
Traceability Throughout the Life of the Pump

Other manufacturers provide a single traceability number for the entire pump. When a pump part is replaced, the traceability number stamped on the pump is no longer valid for the replaced part.

Tri-Clover stamps each wetted part of the CL pump with its own traceable number. That means you can replace a part without invalidating the pump's traceability. The new

part will be supplied with a its own number and certification, ensuring traceability throughout the life of the pump.

For those items that are fabricated, a traceable number is provided for each of the components. For example, a casing will have a traceable number for the ferrules, outlet, casing, and weld rods.



Tri-Clover, Inc.
P.O. Box 1413
Kenosha, Wisconsin 53141-1413
PHONE: 262-694-5511
FAX: 262-694-7104

E-Mail address: TCWEBMASTER@tri-clover.com
Visit our web site at www.tri-clover.com