

Series B9 Ball Valve

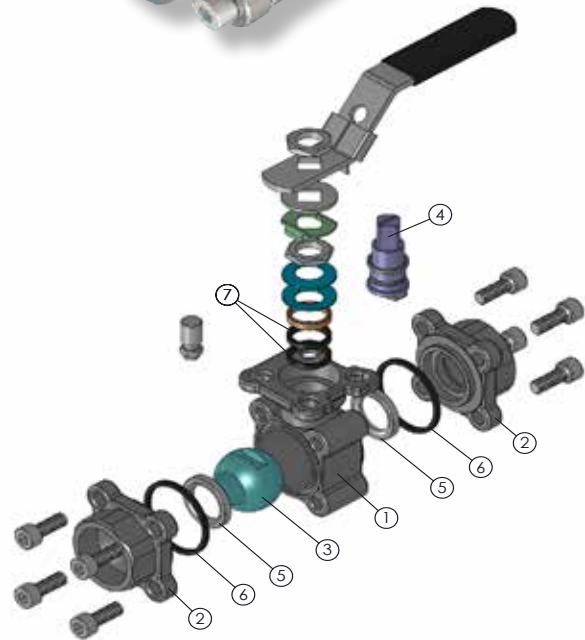
Three-Piece **EZ-MAX** Ball Valve, Full Port
 Sizes 1/4" ~ 2"



The SVF Series B9 Ball Valves feature a high performance design for use in critical, process-quality application. These valves exceed the pressure and temperature ratings of traditional, general purpose valves.

SERIES B9 DESIGN FEATURES

- ✓ Full-ported flow path in high performance design for process-quality applications
- ✓ Encapsulated body seals to facilitate welding without disassembly
- ✓ Live-loaded stem seal ensures seal-tight pressure containment even under thermal cycling
- ✓ Three-piece "swing out" design offers easy access for in-line maintenance
- ✓ ISO 5211 mounting pad for easy "Direct Mount" actuation
- ✓ Standard seat material is TFM1600™
- ✓ Blowout proof stem adds safety & reliability
- ✓ Stainless steel valves have 316L ends
- ✓ Standard Anti-Static stem
- ✓ Lockable in the "Open" or "Close" position



MATERIALS OF CONSTRUCTION

ITEM	DESCRIPTION	MATERIALS SPECIFICATIONS
1	Body	316 Stainless Steel (ASTM A351 CF8M) Carbon Steel (ASTM A216 WCB)
2	End Connector	316L Stainless Steel (ASTM A351 CF3M) Carbon Steel (ASTM A216 WCB)
3	Ball	316 Stainless Steel (ASTM A351 CF8M)
4	Stem	316 Stainless Steel (ASTM AISI-316)
5	Seat	TFM1600™, Delrin®, PEEK
6	Body Seal	PTFE, Buna "N", GRAFOIL®
7	Stem Seal	PTFE

EZ-MAX SERIES FOR AUTOMATION

B9 valves feature direct mounting for pneumatic or electric automation. This feature reduces the cost, additional size and weight of valves requiring a mounting adapter kit.

What do you need today?™



Series B9 Ball Valve

Three-Piece EZ-MAX Ball Valve, Full Port
 Sizes 1/4" ~ 2"

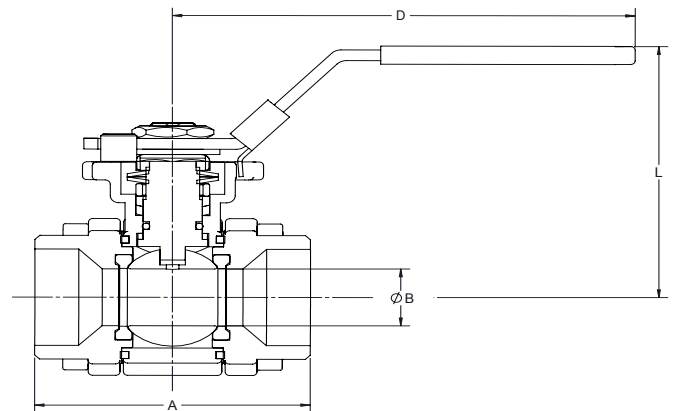
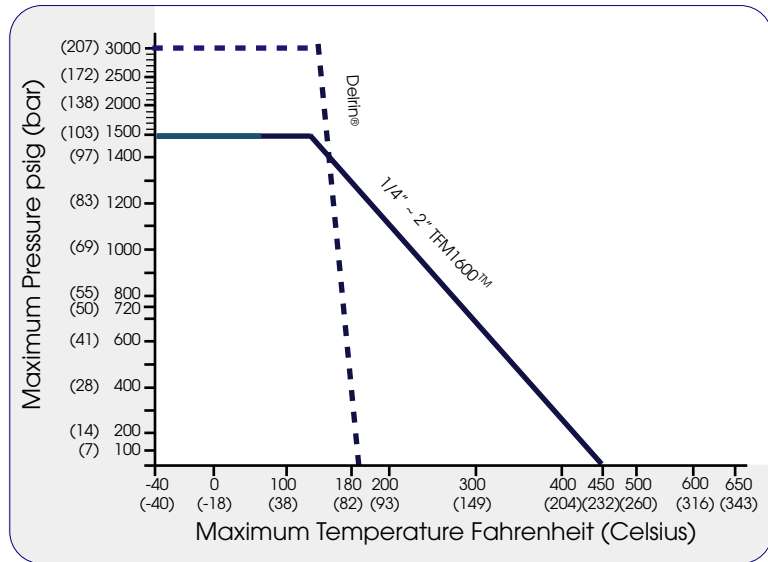


DIMENSIONS, WEIGHT, Cv, TORQUE

Size	A		B		D		L		Weight		Cv	Torque* TFM1600™		Torque* Delrin	
	in.	mm	in.	mm	in.	mm	in.	mm	lbs	kg		in-lbf	Nm	in-lbf	Nm
1/2"	2.56	65	0.63	16	4.61	117	2.09	53	1	0.63	11	62	7	80	9
3/4"	2.95	75	0.79	20	5.00	127	3.19	81	2	1.00	21	100	12	90	10
1"	3.94	100	1.26	32	6.70	170	3.39	86	5	2.28	57	230	26	330	37
1-1/2"	4.33	110	1.50	38	7.17	182	3.39	86	8	3.75	80	300	34	600	67
2"	5.12	130	2.00	51	7.17	182	4.2	106	7	3.18	148	433	49	820	92

* At full differential pressure for clean fluids

B9 - PRESSURE/TEMPERATURE CHART



Class 1500 (Sizes: 1/4" to 1")

Class 900 (Sizes: 1" to 2")

Note: Maximum pressure & temperature is limited to the seat material rating

SVF Flow Controls • 5595 Fresca Drive • La Palma, CA 90623 • Tel: 800.783.7836 • Sales@SVF.net
 Specifications subject to change w/o notice. All Data Sheets on our website supersede prior publications • (SVF.B9.0720)



Series B9 Ball Valve

Three-Piece *EZ-MAX* Ball Valve, Full Port
 Sizes 1/4" ~ 2"



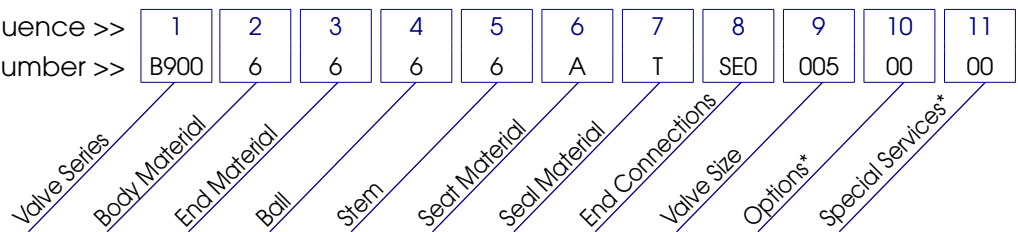
How To Order Guide (Columns 1 thru 11)

1 SERIES	2 BODY	3 ENDS	4 BALL	5 STEM	6 SEAT MATERIAL	7 BODY SEAL	8 END CONNECTIONS	9 VALVE SIZE	10 OPTIONS*	11 SPECIAL SERVICES*
B900	4 = Carbon Steel ASTM A216 WCB 6 = 316 Stainless Steel ASTM A351 CF8M	4 = Carbon Steel ASTM A216 WCB 6 = 316L Stainless Steel ASTM A351 CF3M	6 = 316 Stainless Steel ASTM A351 CF8M	6 = 316 Stainless Steel AISI 316	A = TFM1600™	T = PTFE	SEO = Threaded Ends (FNPT) SWO = Socket Weld Ends	005 = 1/2" 007 = 3/4" 010 = 1" 015 = 1-1/2" 020 = 2"	00 = None	00 = None XC = Oxygen Cleaned

Order Example: (B9006666ATSE00050000) The Part Number will contain 20 digits.

Ordering Code Sequence >>

Sample Part Number >>



*Not all Options or Special Services available on ball valves. Consult SVF for additional information.

