

Series FB9 Ball Valve

Three-Piece Fire-Safe Ball Valve, Full Port
 Sizes 1/4" ~ 2"



The SVF Series FB9 (Full Port) are high performance, three-piece, fire-safe ball valves certified to the latest API-607 and API-608 standards. These valves satisfy a wide range of industrial applications for processing and handling flammable fluids.

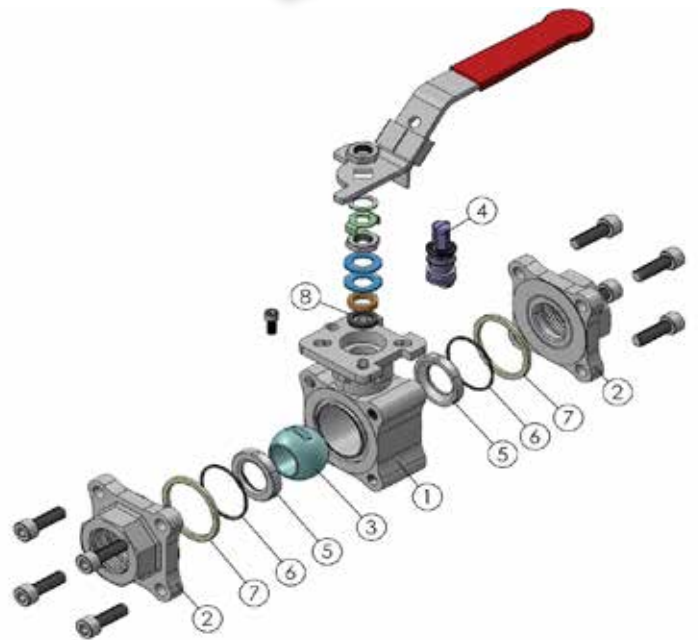
SERIES FB9 DESIGN FEATURES

- ✓ Fire-Safe certification to API-607
- ✓ Certified to API-608 to meet the additional design, operational and performance requirements of the Petroleum Refining, Petrochemical Processing and Chemical Processing Industries
- ✓ Secondary metal back up seat
- ✓ Standard NACE MR 0175
- ✓ Encapsulated body seals to facilitate welding without disassembly
- ✓ Live-loaded stem packing ensures seal-tight pressure containment even under thermal cycling
- ✓ ISO 5211 mounting pad for "Direct Mount" actuation
- ✓ Standard seat material is TFM1600™
- ✓ Blowout proof stem adds safety & reliability
- ✓ Standard Anti-Static stem and lockable handle



MATERIALS OF CONSTRUCTION

ITEM	DESCRIPTION	MATERIALS SPECIFICATIONS
1	Body	316 Stainless Steel (ASTM A351 CF8M) Carbon Steel (ASTM A216 WCB)
2	End Connector	316L Stainless Steel (ASTM A351 CF8M) Carbon Steel (ASTM A216 WCB)
3	Ball	316 Stainless Steel (ASTM A351 CF8M)
4	Stem	316 Stainless Steel (ASTM A479)
5	Seat	TFM1600™
6	Body Seal	GRAFOIL®
7	Body Seal	PTFE
8	Stem Seal	GRAFOIL®



FB9 SERIES FOR AUTOMATION

FB9 valves feature direct mounting for pneumatic or electric automation. This feature reduces the cost and additional size and weight of valves requiring a mounting adapter kit.

What do you need today?™



Series FB9 Ball Valve

Three-Piece Fire-Safe Ball Valve, Full Port
 Sizes 1/4" ~ 2"

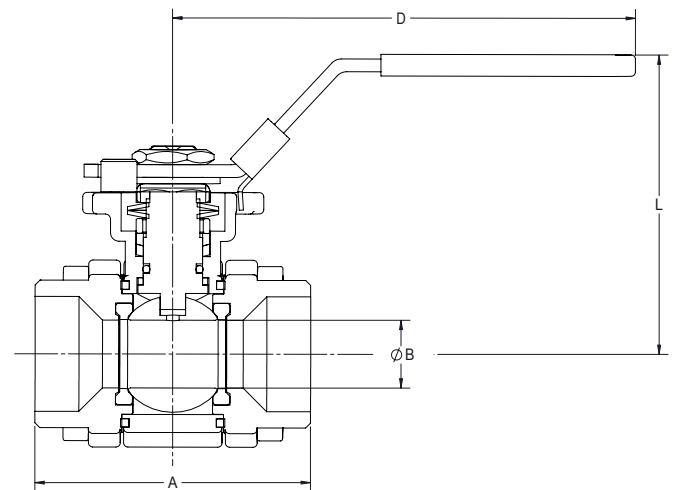
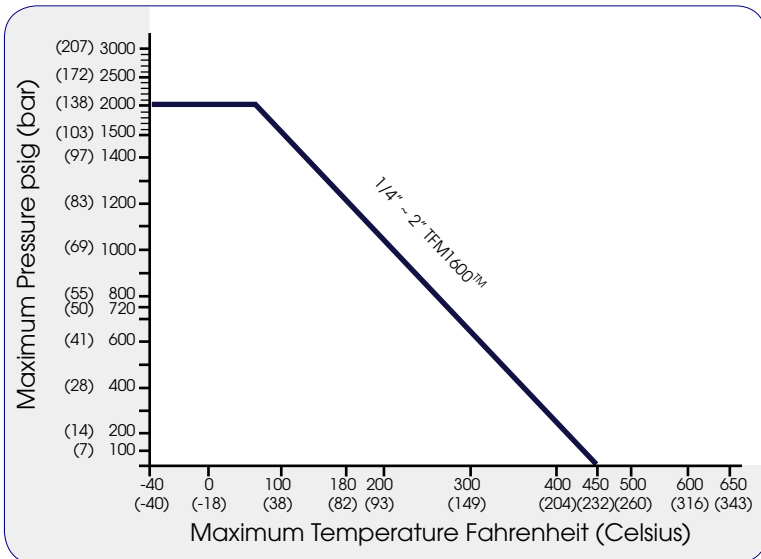


DIMENSIONS, WEIGHT, Cv, TORQUE

Size	A		B		D		L		Weight		Cv	Torque* TFM1600™	
	in.	mm	in.	mm	in.	mm	in.	mm	lbs	kg		in-lbf	Nm
1/4"	2.95	75	0.43	11	4.41	112	3.10	78	1.7	0.8	12	62	7
3/8"	2.95	75	0.43	11	4.41	112	3.10	78	1.7	0.8	14	62	7
1/2"	2.95	75	0.55	14	4.41	112	3.10	78	1.9	0.9	42	97	11
3/4"	3.15	80	0.79	20	7.32	186	3.50	89	2.9	1.3	73	150	17
1"	3.54	90	0.98	25	7.80	198	3.90	99	4.2	1.9	113	221	25
1-1/4"	4.34	110	1.24	32	7.80	198	4.72	120	6.2	2.8	183	285	32
1-1/2"	4.72	120	1.46	37	7.80	198	4.88	124	9.7	4.4	273	443	50
2"	5.51	140	1.97	50	7.80	198	5.55	141	14.8	6.7	485	575	65

* At full differential pressure for clean fluids

FB9 - PRESSURE/TEMPERATURE CHART



Class 800 (Sizes: 1/4" to 2")

Note: Maximum pressure & temperature is limited to the seat material rating

SVF Flow Controls • 5595 Fresca Drive • La Palma, CA 90623 • Tel: 800.783.7836 • Sales@SVF.net
 Specifications subject to change w/o notice. All Data Sheets on our website supersede prior publications • (SVF.FB9.0820)



Series FB9 Ball Valve

Three-Piece Fire-Safe Ball Valve, Full Port
 Sizes 1/4" ~ 2"



How To Order Guide (Columns 1 thru 11)

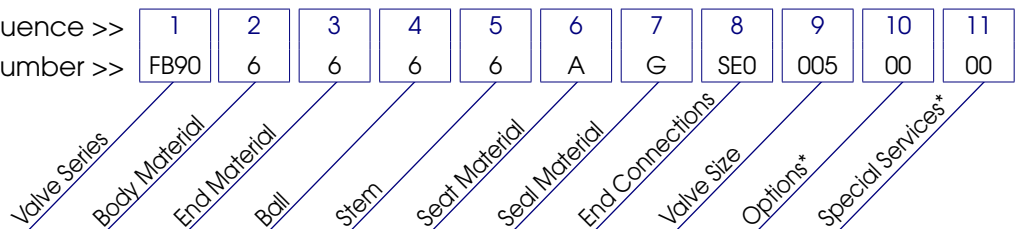
1 SERIES	2 BODY	3 ENDS	4 BALL	5 STEM	6 SEAT MATERIAL
FB90	4 = Carbon Steel ASTM A216 WCB 6 = 316 Stainless Steel ASTM A351 CF8M	4 = Carbon Steel ASTM A216 WCB 6 = 316L Stainless Steel ASTM A351 CF8M	6 = 316 Stainless Steel ASTM A351 CF8M	6 = 316 Stainless Steel ASTM A479	A = TFM1600™

7 BODY SEAL	8 END CONNECTIONS	9 VALVE SIZE	10 OPTIONS*	11 SPECIAL SERVICES*
G = Grafoil	SE0 = Threaded Ends (FNPT) SW0 = Socket Weld Ends	002 = 1/4" 003 = 3/8" 005 = 1/2" 007 = 3/4" 010 = 1" 012 = 1-1/4" 015 = 1-1/2" 020 = 2"	00 = None	00 = None XC = Oxygen Cleaned SF = Degreased (Silicone Free) UH = Vent/Relief Hole ¹

Order Example: (FB906666AGSE00050000) The Part Number will contain 20 digits.

Ordering Code Sequence >>

Sample Part Number >>



¹ Vent Hole is on the Upstream Side

*Not all Options or Special Services available on all ball valves. Consult SVF for additional information.

