

SANITARY DIRECT MOUNT BALL VALVES

Features & Specifications

- » ASTM 316/316L stainless steel
- » 3-PC body design facilitates inspection and easy inline repair
- » Full port flow to tube ID/OD without tapering
- » Highly polished 8–12 Ra ID
- » Live loaded, self-adjusting packing and Belleville washers provide better sealing and defense against leaking
- » Using body cavity fillers meets FDA, USDA & 3A requirements
- » 3-PC, v-ring stem packing for superior sealing and lower torque
- » 316L extended butt-weld ends allow easy inline welding without disassembly of valve and are suitable for orbital welding
- » Blowout-proof, bottom entry stem design and anti-static device
- » For high cycle applications—working pressure to 1000 PSI WOG
- » SST x PTFE seats available for high temperature applications
- » Available in regular or cavity filled styles
- » Cavity fillers are virgin PTFE—meets CFR 21
- » Sizes ½”–2” in 316L extended tube design
2½”–4” available in short butt-weld design

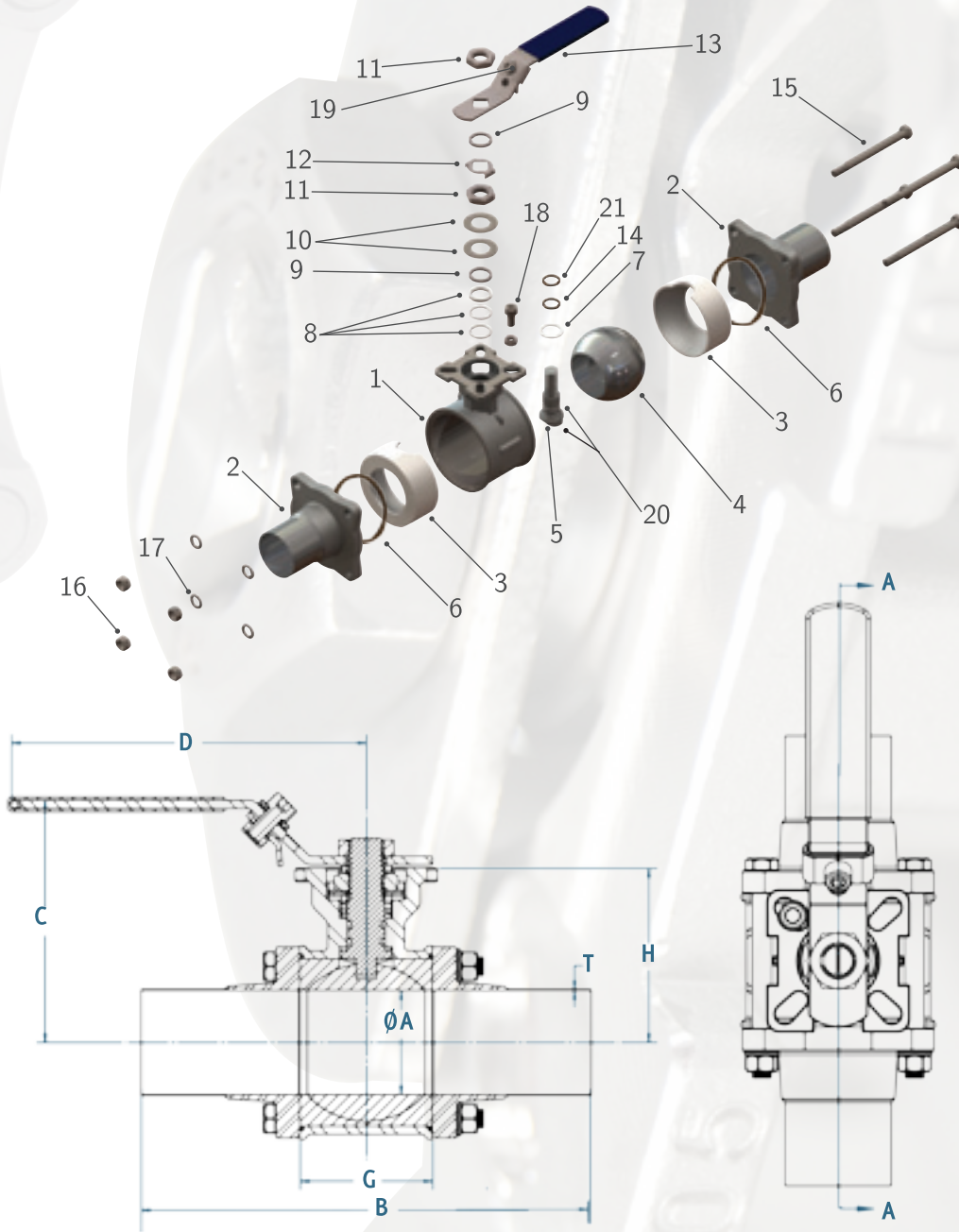


Pyramidal Stem, Double Sealing & Anti-Static Device (Optional)



TANK END VALVES AVAILABLE

EA-33NF-EXT



| Item | Part (Qty) | Material |
|------|------------------------------|----------|
| 1 | Body | CF8M/316 |
| 2 | End Caps (2) | CF8M/316 |
| 3 | Seats (2) | PTFE |
| 4 | Ball | SUS 316 |
| 5 | Stem | SUS 316 |
| 6 | Body Seal (2) | PTFE |
| 7 | Gasket | PTFE |
| 8 | Seal | PTFE |
| 9 | Gland Ring (2) | SUS 304 |
| 10 | Belleville Spring Washer (2) | SUS 301 |
| 11 | Lever Nut | SUS 304 |
| 12 | Locking Tab | SUS 304 |
| 13 | Handle | SUS 304 |
| 14 | O-ring | VITON® |
| 15 | Bolts (4) | SUS 304 |
| 16 | Bolts Nut (4) | SUS 304 |
| 17 | Washer (4) | SUS 304 |
| 18 | Stop Screw | SUS 304 |
| 19 | Locking Device | SUS 304 |
| 20 | Static Device (2) | SUS 316 |
| 21 | O-ring (2) | VITON® |

| Size | A | B | C | D | E | G | H | L | J | J ₁ | d ₁ | d ₂ | SW | T | ISO5211 |
|------|------|------|------|-------|------|------|------|------|------|----------------|----------------|----------------|------|------|---------|
| ½" | 0.37 | 4.50 | 2.79 | 4.33 | 0.50 | 0.99 | 1.67 | 0.32 | 1.42 | 1.65 | 0.24 | 0.24 | 0.35 | 0.07 | F03/F04 |
| ¾" | 0.63 | 5.50 | 2.89 | 4.33 | 0.76 | 1.09 | 1.76 | 0.32 | 1.42 | 1.65 | 0.24 | 0.24 | 0.35 | 0.07 | F03/F04 |
| 1" | 0.87 | 6.25 | 3.31 | 5.32 | 1.00 | 1.30 | 2.13 | 0.39 | 1.65 | 1.97 | 0.24 | 0.28 | 0.43 | 0.07 | F04/F05 |
| 1½" | 1.37 | 9.00 | 4.31 | 6.50 | 1.50 | 1.94 | 2.89 | 0.58 | 1.97 | 2.76 | 0.28 | 0.35 | 0.55 | 0.07 | F05/F07 |
| 2" | 1.87 | 9.50 | 4.68 | 6.50 | 2.00 | 2.50 | 3.26 | 0.58 | 1.97 | 2.76 | 0.28 | 0.35 | 0.55 | 0.07 | F05/F07 |
| 2½" | 2.37 | 6.52 | 5.25 | 9.06 | 2.50 | 2.76 | 4.21 | 0.67 | 2.76 | 4.02 | 0.35 | 0.43 | 0.67 | 0.07 | F07/F10 |
| 3" | 2.88 | 8.98 | 5.91 | 11.81 | 3.00 | 4.02 | 4.62 | 0.67 | 2.76 | 4.02 | 0.35 | 0.43 | 0.67 | 0.07 | F07/F10 |
| 4" | 3.84 | 8.87 | 6.90 | 11.81 | 4.00 | 4.02 | 5.21 | 0.67 | 2.76 | 4.02 | 0.35 | 0.43 | 0.67 | 0.08 | F07/F10 |

Note: Sizes 2½"-4" are short butt-weld.