



LATERALS & TRUE WYES

www.csidesigns.com • www.csidesigns.com • www.csidesigns.com

Streamline your process flow with laterals and true wyes in standard, reducing and custom configurations.



- Available in 316L, AL-6XN or Hastelloy C-22
- Tri-clamp, butt-weld and other connections available
- Many standard sizes in stock for immediate shipment
- 25 Ra ID / 32 Ra OD standard finish
- Other finishes available including electropolish
- Reducing configurations and custom designs available
- MTRs available upon request

800.654.5635

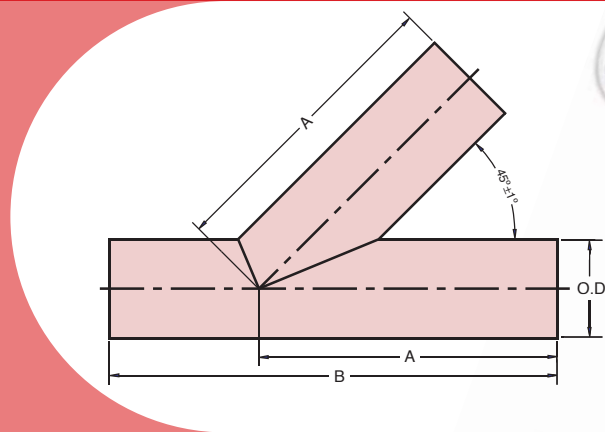


Laterals & True Wyes

28WA BUTT-WELD LATERAL

O.D.	DIM "A"	DIM "B"
1	5	7.5
1.5	5	7.5
2	6	9
2.5	6.5	9.75
3	7	10.5
4	9	13.5
6	14	20

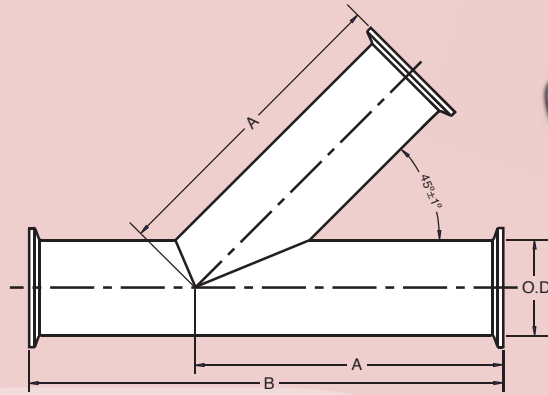
Note: All dimensions are in inches.



28AMP TRI-CLAMP LATERAL

O.D.	DIM "A"	DIM "B"
1	5.5	8.5
1.5	5.5	8.5
2	6.5	10
2.5	7	10.75
3	7.5	11.5
4	9.625	14.75
6	15.5	23

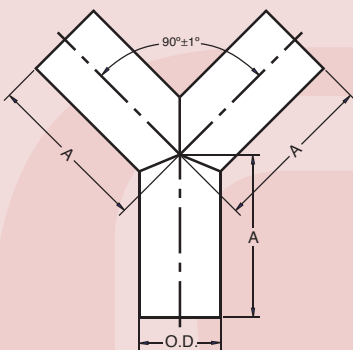
Note: All dimensions are in inches.



28BW BUTT-WELD TRUE WYE

O.D.	DIM "A"
1	2
1.5	3
2	4
2.5	4.5
3	5
4	7
6	10

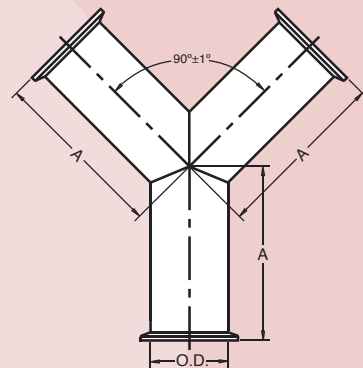
Note: All dimensions are in inches.



28BMP TRI-CLAMP TRUE WYE

O.D.	DIM "A"
1	2.5
1.5	3.5
2	4.5
2.5	5
3	5.5
4	7.625
6	11.5

Note: All dimensions are in inches.



LATERALS & TRUE WYES BRINGING INNOVATION TO PROCESS SYSTEMS