

Spare Parts

Alfa Laval LeviMag® – Alfa Laval LeviMag® UltraPure



100001149-EN4 2019-10

Original manual



CSI

CONTACT CSI FOR MORE INFORMATION | CSIDESIGNS.COM | SALES@CSIDESIGNS.COM | 417.831.1411

The information herein is correct at the time of issue but may be subject to change without prior notice

1. Product overview - WP50 4

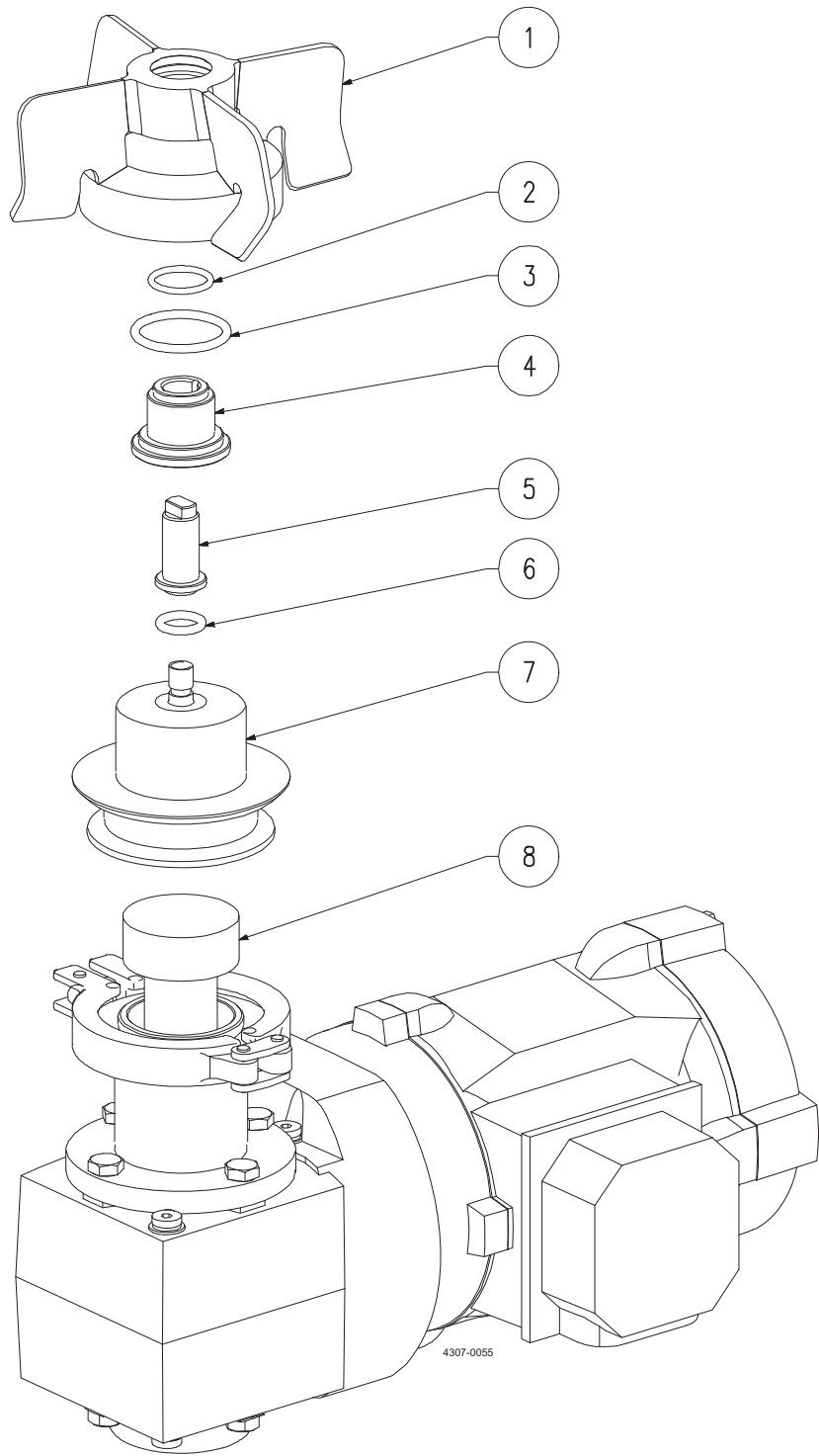
2. Product overview - WP81 6

3. Drive unit - WP50 8

4. Drive unit - WP81 10

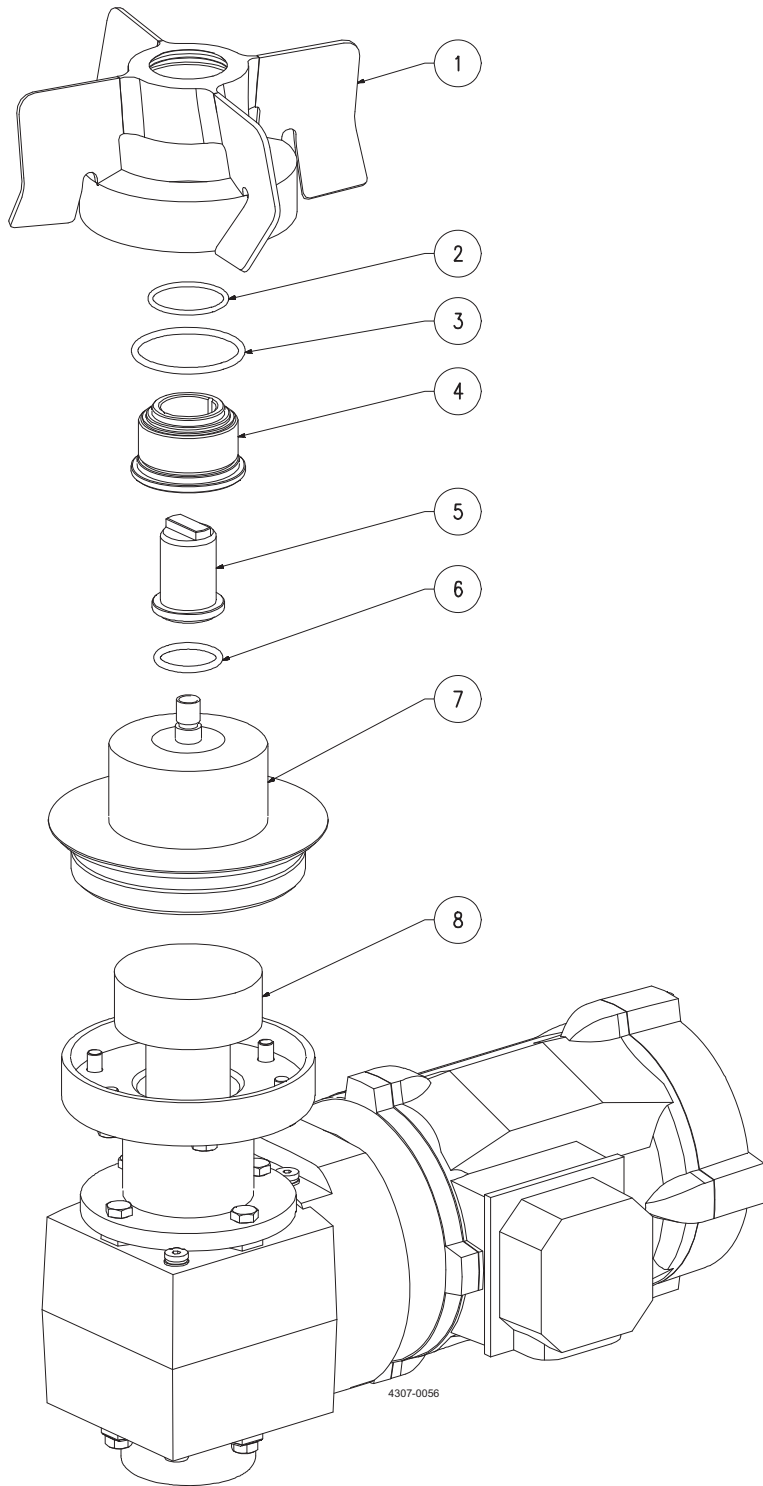
5. Tools 12





Pos	Qty	Denomination	Item
1	1	Impeller	
2	□	O-ring	
3	□	O-ring	
4	□	Female Bearing	
5	◆	Male Bearing	
6	◆	O-ring	
7	1	Weld Plate	9615454401
8	1	Drive Unit	

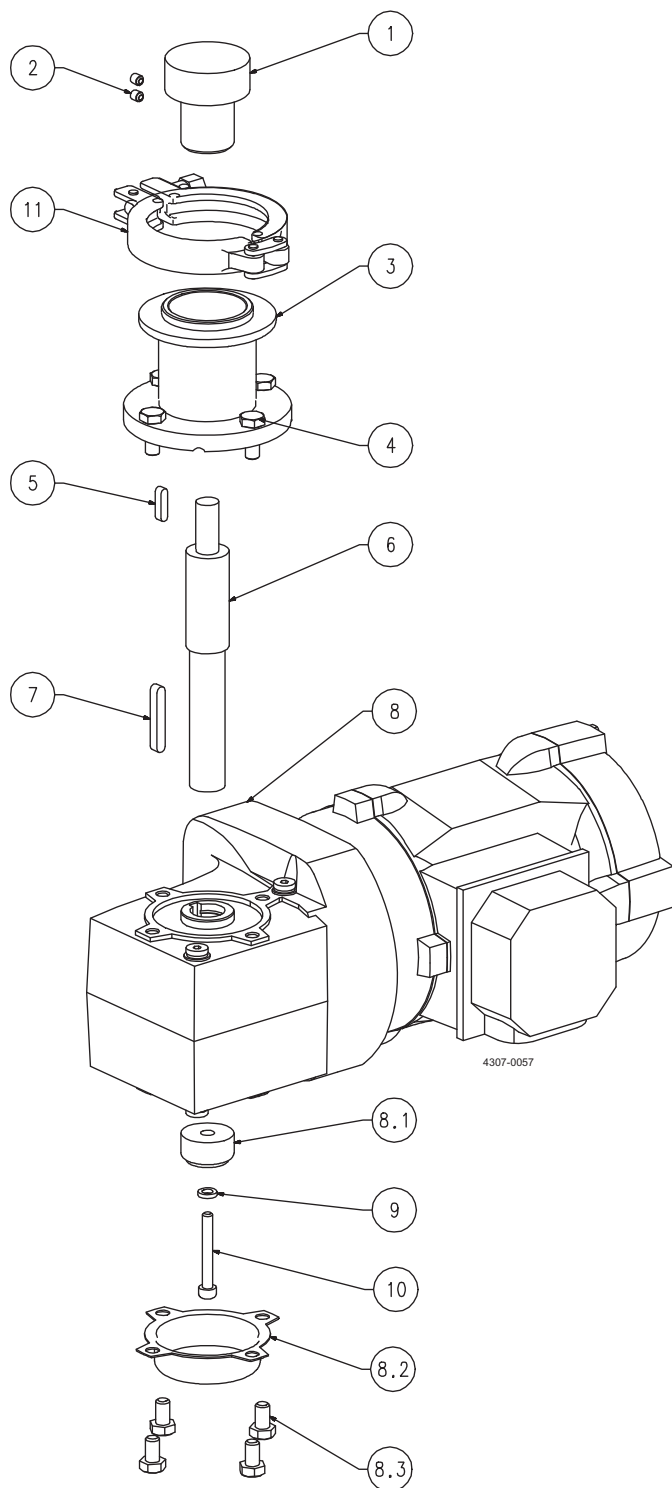
		Item
Service kits		
□	Service kit Female bearing - incl. Female bearing tool, see 5 Tools	9615463201
□	Service kit Female bearing, UltraPure (Q-doc) - incl. Female bearing tool, see 5 Tools	9615470301
◆	Service kit Male bearing - incl. Male bearing tool, see 5 Tools	9615463101
◆	Service kit Male bearing, UltraPure (Q-doc) - incl. Male bearing tool, see 5 Tools	9615470201



Pos	Qty	Denomination	Item
1	1	Impeller	
2	□	O-ring	
3	□	O-ring	
4	□	Female Bearing	
5	◆	Male Bearing	
6	◆	O-ring	
7	1	Weld Plate	9615433701
8	1	Drive Unit	

		Item
Service kits		
□	Service kit Female bearing - incl. Female bearing tool, see 5 Tools	9615463001
□	Service kit Female bearing, UltraPure (Q-doc) - incl. Female bearing tool, see 5 Tools	9615470501
◆	Service kit Male bearing - incl. Male bearing tool, see 5 Tools	9615462901
◆	Service kit Male bearing, UltraPure (Q-doc) - incl. Male bearing tool, see 5 Tools	9615470401





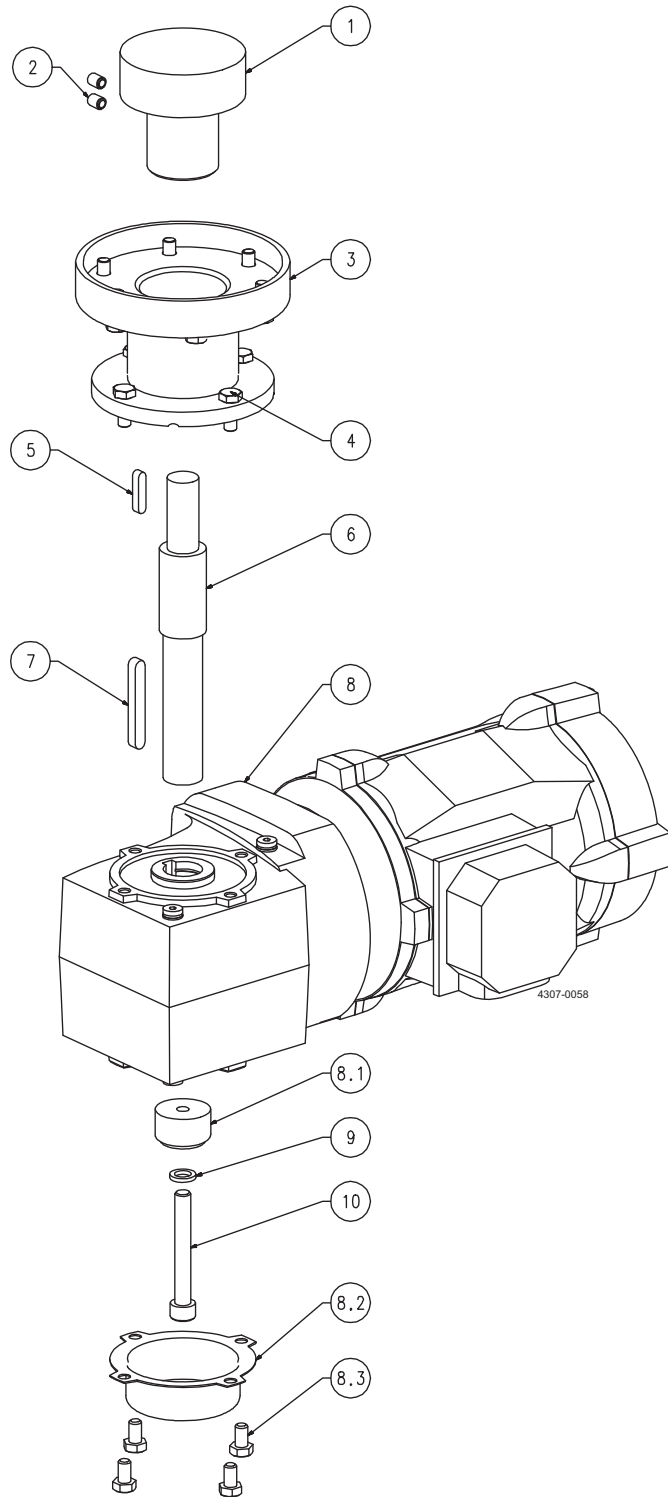
Pos	Qty	Denomination	Item
1	1	Drive Rotor	9615454701
2	2	Screw	9615457001
3	□	Flange, length 70 mm, 1)	
	■	Flange, length 120 mm, 1)	
4	4	Screw	TE2601000389
5	1	Parallel Key	9615456601
6	□	Shaft, length 173 mm	9615454601
	■	Shaft, length 223 mm	9615454602
7	1	Parallel Key	9615457401
8	1	Gear motor, - Blue, = 0°-22°	9615456701
	1	Gear motor, - Blue, = 23°-45°	9615456703
	1	Gear motor, - Clean room, = 0°-22°	9615456702
	1	Gear motor, - Clean room, = 23°-45°	9615456704
8.1	1	Fastening Element*	
8.2	1	Cover*	
8.3	4	Screw*	
9	1	Washer	9615462801
10	1	Screw	TE2601000184
11	1	Clamp	9634086467

NOTE

Length "□" and "■" must match each other

* parts are included in the gear motor

1) These are request items that can only be sold on special Item number. We request serial number and item number of the machine they are to be replaced on.



Drive unit - WP81

Pos	Qty	Denomination	Item
1	1	Drive Rotor	9615434001
2	2	Screw	9615434401
3	□	1 Flange, length 90 mm, 1)	
	■	1 Flange, length 140 mm, 1)	
4	10	Screw	TE2601000389
5	1	Parallel Key	9615434701
6	□	1 Shaft, - length 205 mm	9615433901
	■	1 Shaft, - length 255 mm	9615433902
7	1	Parallel Key	9615456801
8	1	Gear motor, - Blue, = 0°-22°	9615435101
	1	Gear motor, - Blue, = 23°-45°	9615435103
	1	Gear motor, - Clean room, = 0°-22°	9615435102
	1	Gear motor, - Clean room, = 23°-45°	9615435104
8.1	1	Fastening Element*	
8.2	1	Cover*	
8.3	4	Screw*	
9	1	Washer	TE2601000166
10	1	Screw	9615362001

NOTE

Length "□" and "■" must match each other

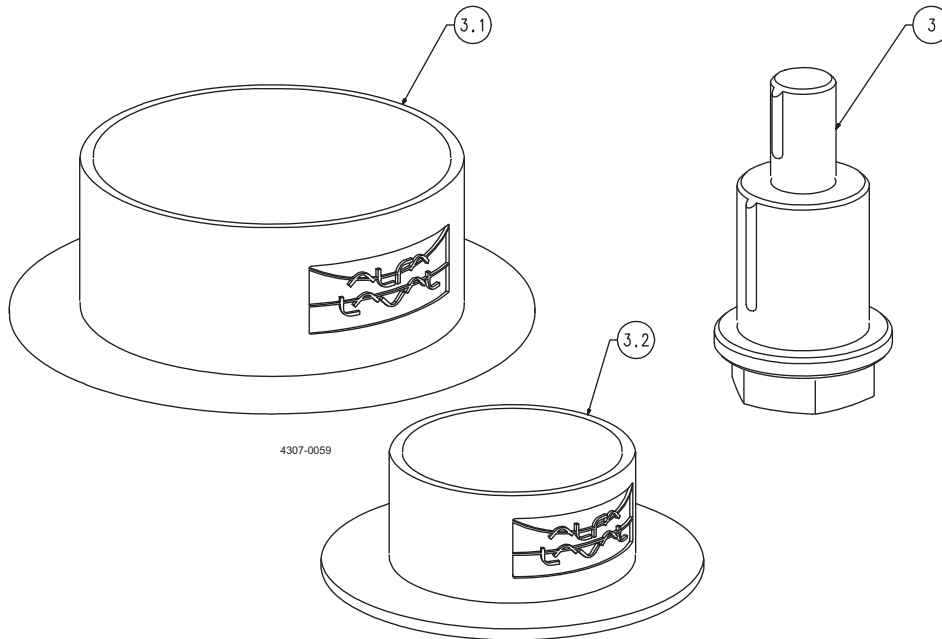
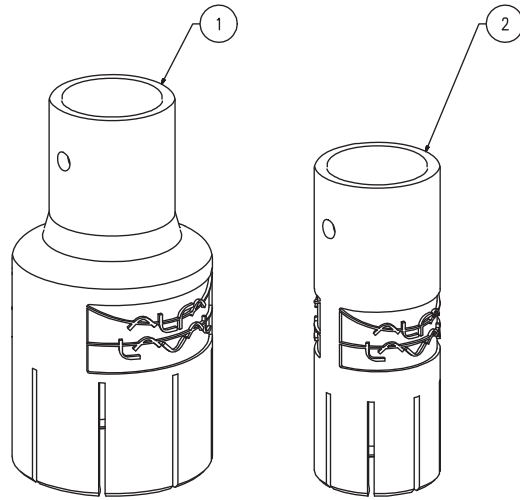
* parts are included in the gear motor

1) These are request items that can only be sold on special Item number. We request serial number and item number of the machine they are to be replaced on.



CSI

CONTACT CSI FOR MORE INFORMATION | CSIDESIGNS.COM | SALES@CSIDESIGNS.COM | 417.831.1411



Tools

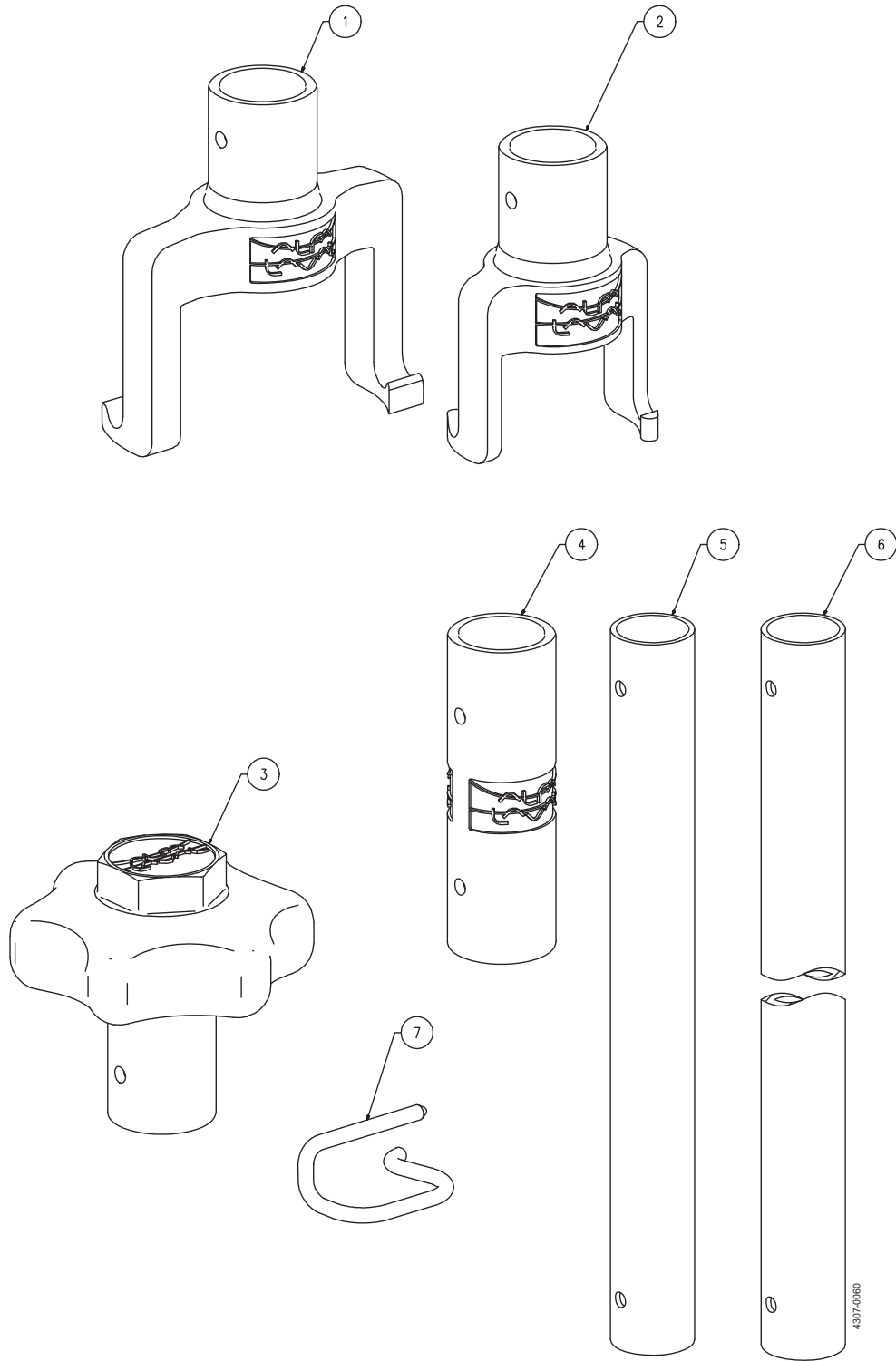
Pos	Qty	Denomination	Item
Male Bearing tool			
1	1	Male Bearing Tool - WP81*	9615471901
2	1	Male Bearing Tool - WP50*	9615472301

Pos	Qty	Denomination	Item
Female Bearing tool kit - WP81			
		Female Bearing Tool kit - WP81*	9615469801
		consisting of:	
3	1	Female Bearing tool	
3.1	1	Protection Shield Female Bearing - WP81	

Pos	Qty	Denomination	Item
Female Bearing tool kit - WP50			
		Female Bearing tool kit - WP50*	9615469701
		consisting of:	
3	1	Female Bearing tool	
3.2	1	Protection Shield Female Bearing - WP50	

* Tools are included when ordering bearing Service kits.





4307-0080



CSI

CONTACT CSI FOR MORE INFORMATION | CSIDESIGNS.COM | SALES@CSIDESIGNS.COM | 417.831.1411

Tools

Pos	Qty	Denomination	Item
Impeller Lifting Devices			
1	1	Impeller Lifting Device WP81	9615472101
2	1	Impeller Lifting Device WP50	9615472501

Pos	Qty	Denomination	Item
Lifting Rod Handle kit			
		Lifting Rod Handle kit	9615469901
		consisting of:	
3	1	Lifting Rod Handle	
5	1	Lifting Rod 200 mm	
7	2	Clip	

Pos	Qty	Denomination	Item
Lifting Rod kit, 700 mm			
		Lifting Rod kit, 700 mm	9615470101
		consisting of:	
6	1	Lifting Rod 700 mm	
4	1	Lifting Rod Connection Piece	
7	2	Clip	

Pos	Qty	Denomination	Item
Lifting Rod kit, 200 mm			
		Lifting Rod kit, 200 mm	9615470001
		consisting of:	
5	1	Lifting Rod 200 mm	
4	1	Lifting Rod Connection Piece	
7	2	Clip	



How to contact Alfa Laval

Contact details for all countries are continually updated on our website.

Please visit www.alfalaval.com to access the information directly.

© Alfa Laval Corporate AB

This document and its contents is owned by Alfa Laval Corporate AB and protected by laws governing intellectual property and thereto related rights. It is the responsibility of the user of this document to comply with all applicable intellectual property laws. Without limiting any rights related to this document, no part of this document may be copied, reproduced or transmitted in any form or by any means (electronic, mechanical, photocopying, recording, or otherwise), or for any purpose, without the expressed permission of Alfa Laval Corporate AB. Alfa Laval Corporate AB will enforce its rights related to this document to the fullest extent of the law, including the seeking of criminal prosecution.



CSI

CONTACT CSI FOR MORE INFORMATION | CSIDESIGNS.COM | SALES@CSIDESIGNS.COM | 417.831.1411