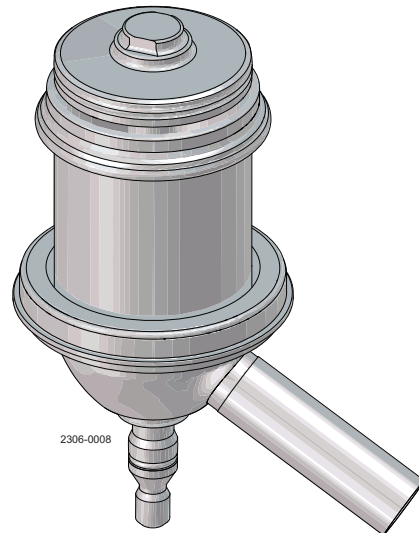
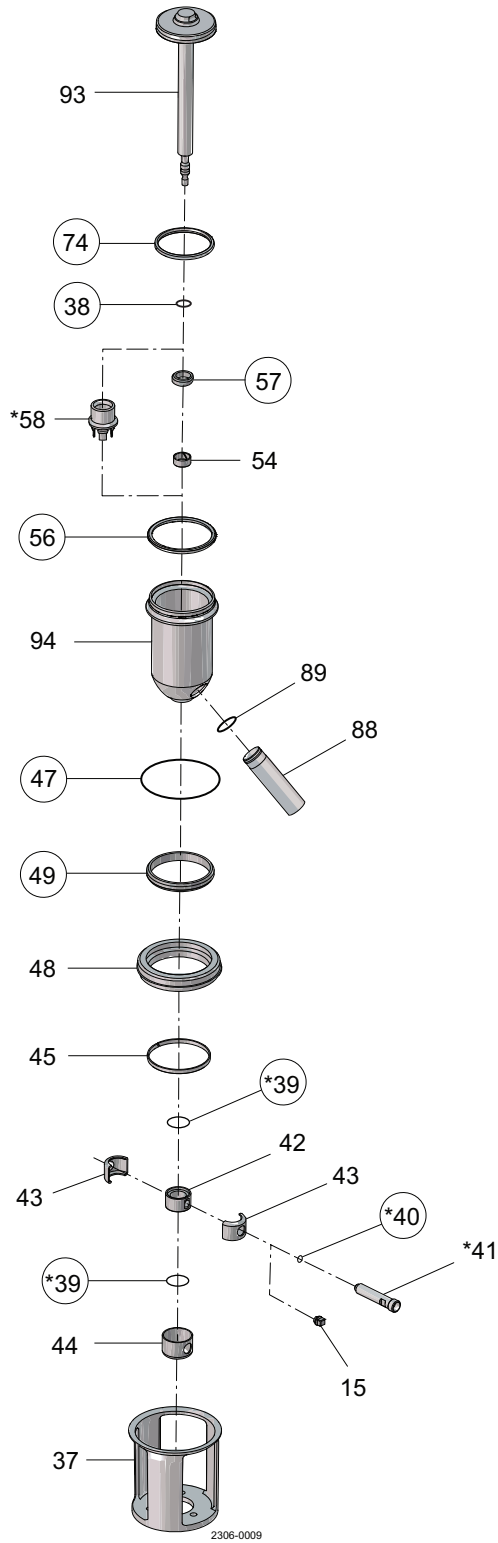


Plug setup 12 (stub flange)



○ = wear parts
 * = with SpiralClean in leakage chamber