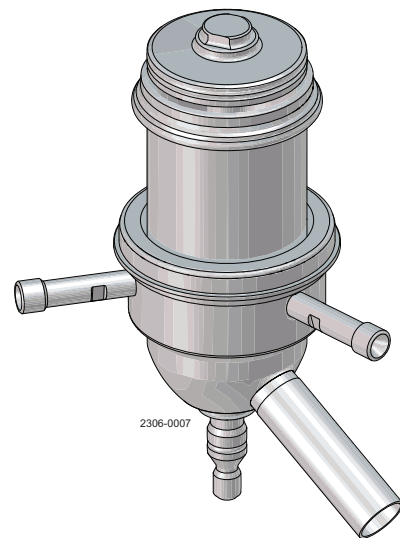
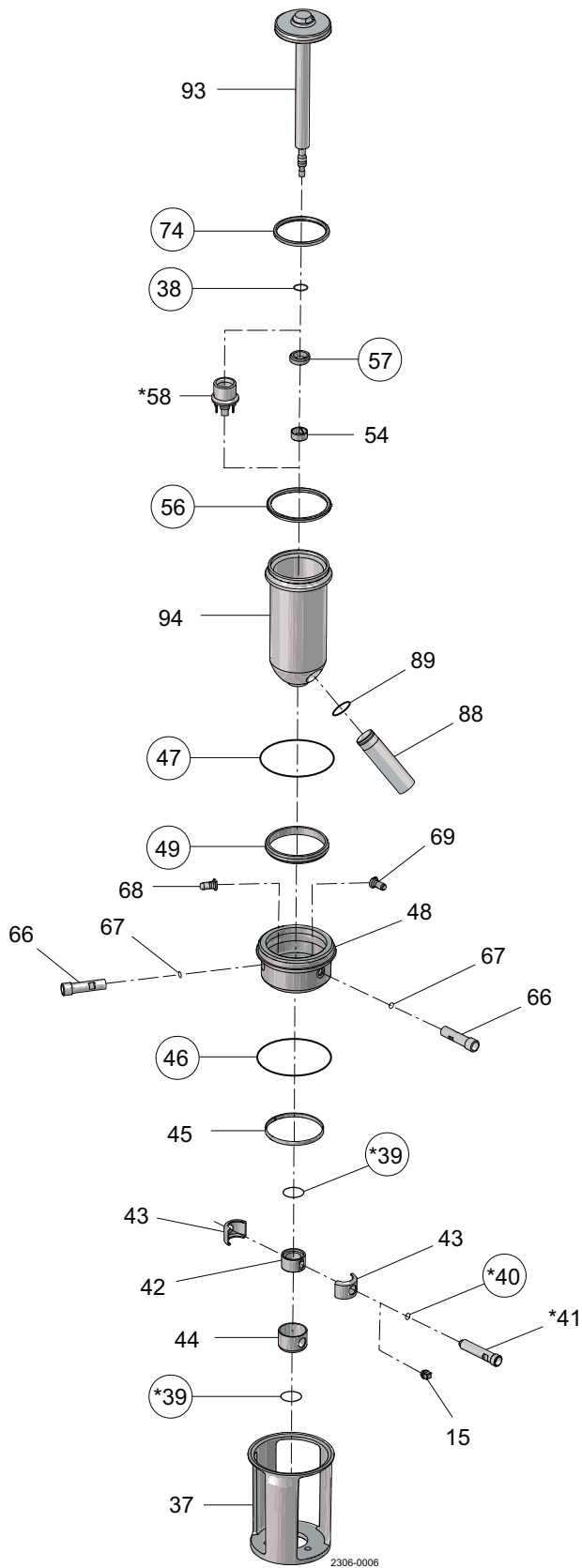


Plug setup 6 (tank flange)



○ = wear parts

* = with SpiralClean in leakage chamber