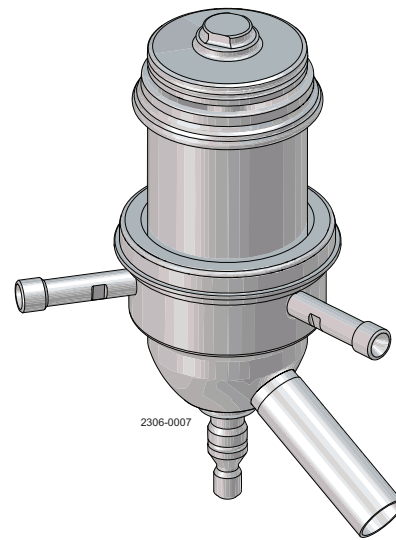
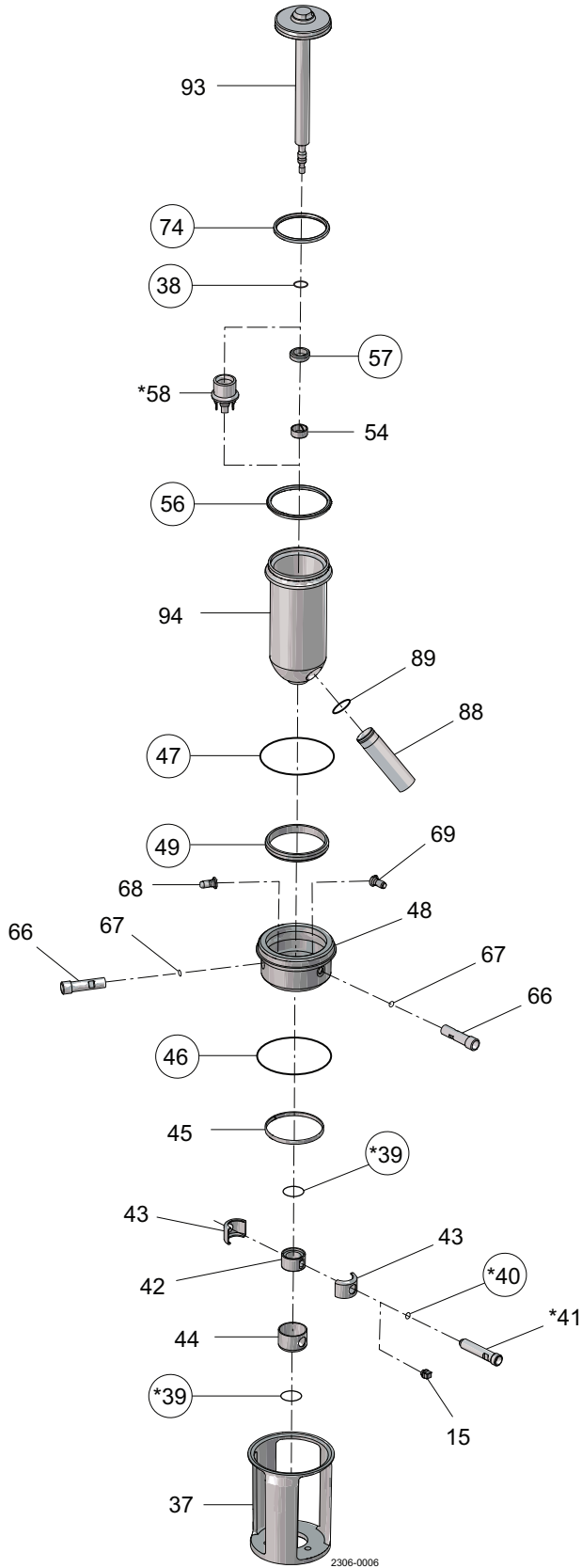


Plug setup 6 (stub flange)



○ = wear parts  
 \* = with SpiralClean in leakage chamber